

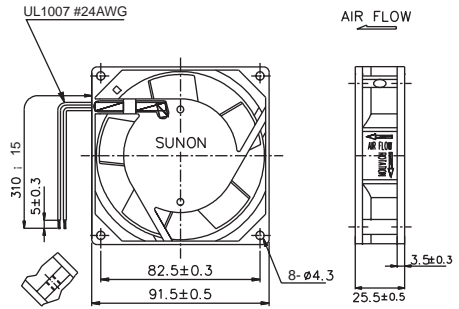
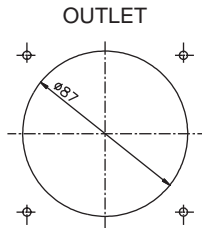
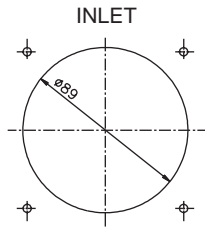


www.yhcd.net

92x92x25 mm

Bearing Type :Ball / Sleeve bearing

Air Flow:21-37CFM

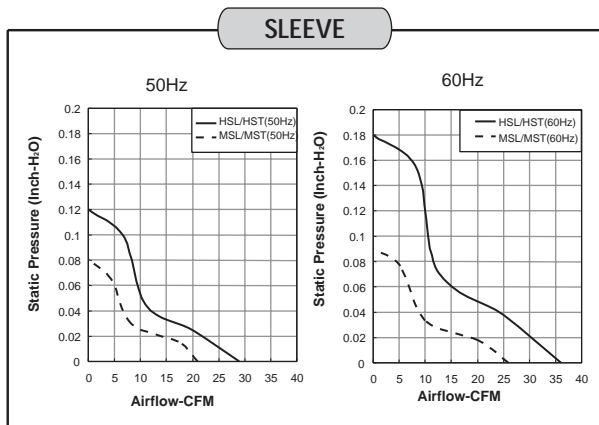
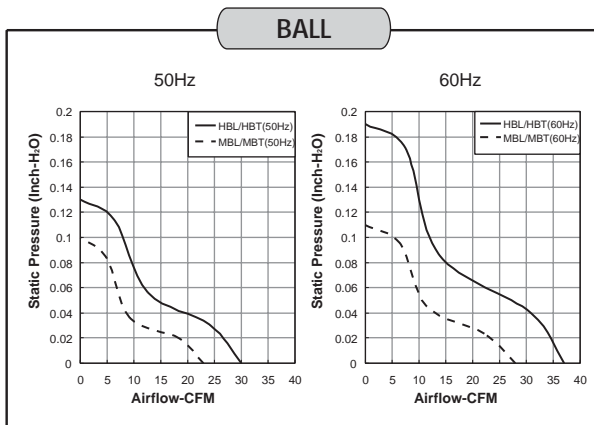


AC Series

| Model | P/N | Bearing ⊙ SLEEVE ○ BALL | Rating Voltage (VAC) | Freq. (Hz) | Power Current (AMP) | Power Consumption (WATTS) | Speed (RPM) | Air Flow (CFM) | Static Pressure (Inch-H ₂ O) | Noise (dBA) | Weight (g) |
|----------|---------|-------------------------------|-------------------------|---------------|------------------------|------------------------------|----------------|-------------------|--|----------------|---------------|
| SF11592A | 1092HSL | ⊙ | 115 | 50/60 | 0.12/0.11 | 13.0/12 | 2250/2750 | 29/36 | 0.12/0.18 | 36/39 | 280 |
| SF11592A | 1092HST | ⊙ | 115 | 50/60 | 0.12/0.11 | 13.0/12 | 2250/2750 | 29/36 | 0.12/0.18 | 36/39 | 280 |
| SF11592A | 1092MSL | ⊙ | 115 | 50/60 | 0.06/0.06 | 7.0/6.0 | 1550/1700 | 21/26 | 0.08/0.09 | 28/30 | 280 |
| SF11592A | 1092MST | ⊙ | 115 | 50/60 | 0.06/0.06 | 7.0/6.0 | 1550/1700 | 21/26 | 0.08/0.09 | 28/30 | 280 |
| SF11592A | 1092HBL | ○ | 115 | 50/60 | 0.12/0.11 | 13.0/12 | 2350/2850 | 30/37 | 0.13/0.19 | 37/40 | 280 |
| SF11592A | 1092HBT | ○ | 115 | 50/60 | 0.12/0.11 | 13.0/12 | 2350/2850 | 30/37 | 0.13/0.19 | 37/40 | 280 |
| SF11592A | 1092MBL | ○ | 115 | 50/60 | 0.07/0.06 | 7.0/6.0 | 1800/2100 | 23/28 | 0.10/0.11 | 31/33 | 280 |
| SF11592A | 1092MBT | ○ | 115 | 50/60 | 0.07/0.06 | 7.0/6.0 | 1800/2100 | 23/28 | 0.10/0.11 | 31/33 | 280 |
| SF23092A | 2092HSL | ⊙ | 220/240 | 50/60 | 0.07/0.06 | 14.5/14 | 2250/2750 | 29/36 | 0.12/0.18 | 36/39 | 280 |
| SF23092A | 2092HST | ⊙ | 220/240 | 50/60 | 0.07/0.06 | 14.5/14 | 2250/2750 | 29/36 | 0.12/0.18 | 36/39 | 280 |
| SF23092A | 2092MSL | ⊙ | 220/240 | 50/60 | 0.07/0.07 | 15.0/14 | 2000/2500 | 27/33 | 0.11/0.16 | 32/37 | 280 |
| SF23092A | 2092MST | ⊙ | 220/240 | 50/60 | 0.07/0.07 | 15.0/14 | 2000/2500 | 27/33 | 0.11/0.16 | 32/37 | 280 |
| SF23092A | 2092HBL | ○ | 220/240 | 50/60 | 0.07/0.06 | 14.5/14 | 2350/2850 | 30/37 | 0.13/0.19 | 37/40 | 280 |
| SF23092A | 2092HBT | ○ | 220/240 | 50/60 | 0.07/0.06 | 14.5/14 | 2350/2850 | 30/37 | 0.13/0.19 | 37/40 | 280 |
| SF23092A | 2092MBL | ○ | 220/240 | 50/60 | 0.07/0.07 | 15.0/14 | 2200/2700 | 28/35 | 0.12/0.18 | 35/38 | 280 |
| SF23092A | 2092MBT | ○ | 220/240 | 50/60 | 0.07/0.07 | 15.0/14 | 2200/2700 | 28/35 | 0.12/0.18 | 35/38 | 280 |

Frame : Aluminum alloy

Specifications subject to change without notice



北京永宏诚大机电设备有限责任公司

电话: 86-10-66131492

传真: 86-10-66162242