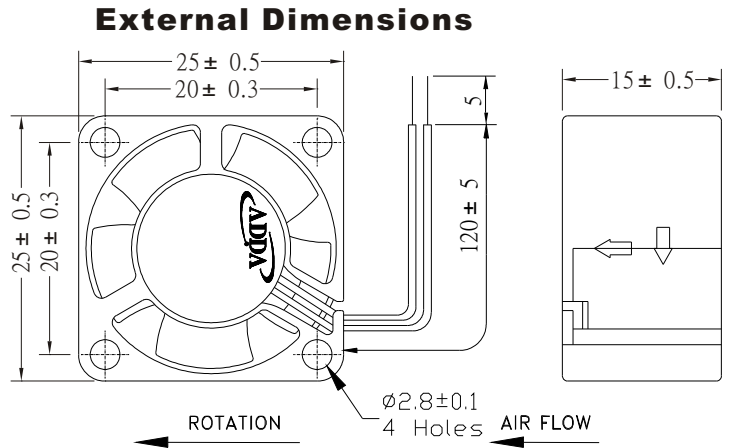
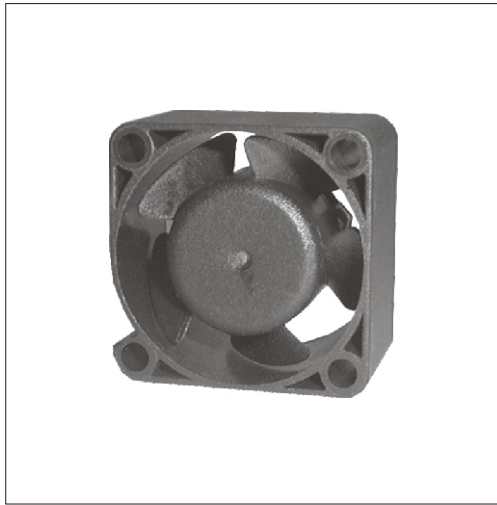


◀ **25X25X15mm Series** ▶



Spot cooling, also suitable for small space requirements, laptops PC and notebook, etc.,.

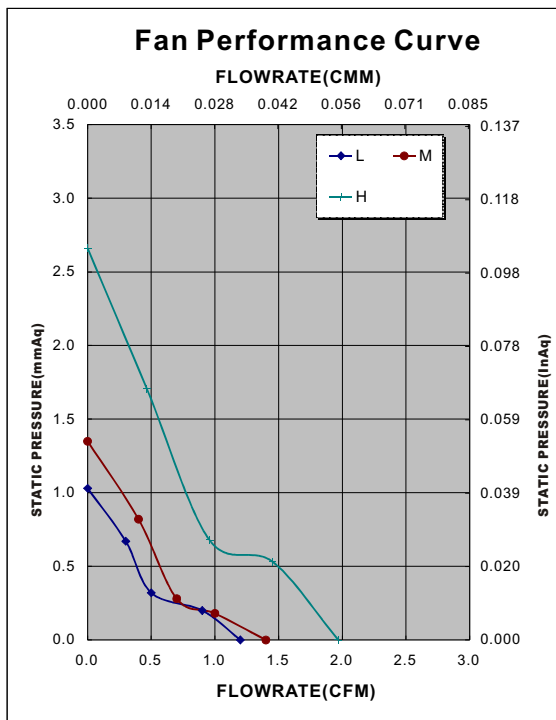
Frame: Plastic (UL: 94v-0)  
 Impeller: Plastic (UL: 94v-0)  
 Bearing: Hypro bearing  
 Lead wire: UL1571AWG28  
 OPERATING TEMP\*: -10C~70C  
 VOLTAGE AVAILABLE: 5V  
 \*:-10C~60C for fans with sleeve/ball combination bearings.

**Specifications (Nominal)**

\*: Noise is measured at the distance of one (1) meter from the axis of intake.

Frame size (mm)	Model No.	Bearing System Type	Rated Voltage (v)	Rated Current (A)	Rated Power (W)	Rated Speed (rpm)	Maximum AirFlow		Maximum Pressure		Noise Level (dB/A)	Weight (g)
							(CMM)	(CFM)	(InAq)	(mmAq)		
25x25x15	AD0205LX-D50		5	0.08	0.400	5000	0.029	1.03	0.041	1.03	7.2	8
	AD0205MX-D50		5	0.10	0.500	6500	0.046	1.60	0.080	2.03	8.3	
	AD0205HX-D50		5	0.13	0.650	8000	0.054	1.90	0.114	2.90	19.2	
	AD0205LX-D51		5	0.08	0.400	5000	0.029	1.03	0.041	1.03	7.2	
	AD0205MX-D51		5	0.10	0.500	6000	0.040	1.40	0.054	1.35	8.3	
	AD0205HX-D51		5	0.13	0.650	8000	0.054	1.90	0.114	2.90	19.2	

Specifications subject to change without notice.



\*Motor protective circuit and third lead wire functions

0	1	2	3	4	6	7	8	9	A	B
✓	✓	✓	✓		✓					✓

\*Safety approvals

✓	✓		✓	✓	

