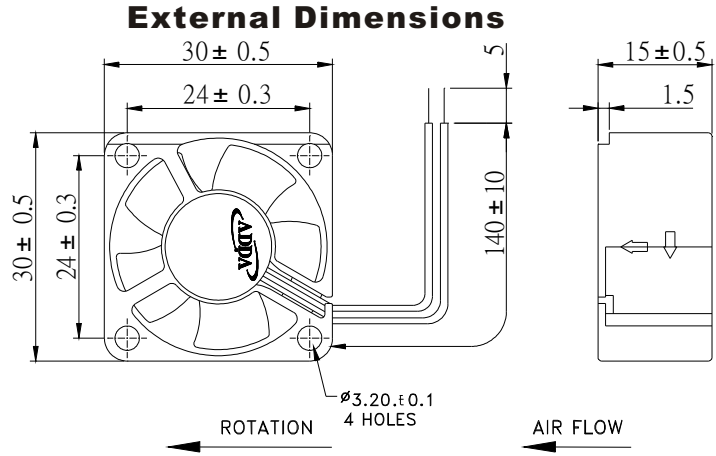


◀ **30X30X15mm Series** ▶



Frame: Plastic(UL:94v-0)
 Impeller: Plastic(UL:94v-0)
 Bearing: Ball bearing
 Lead wire: UL1571AWG28
 OPERATING TEMP*: -10C~70C
 VOLTAGE AVAILABLE: 5V
 *: -10C~60C for fans with sleeve/ball combination bearings.

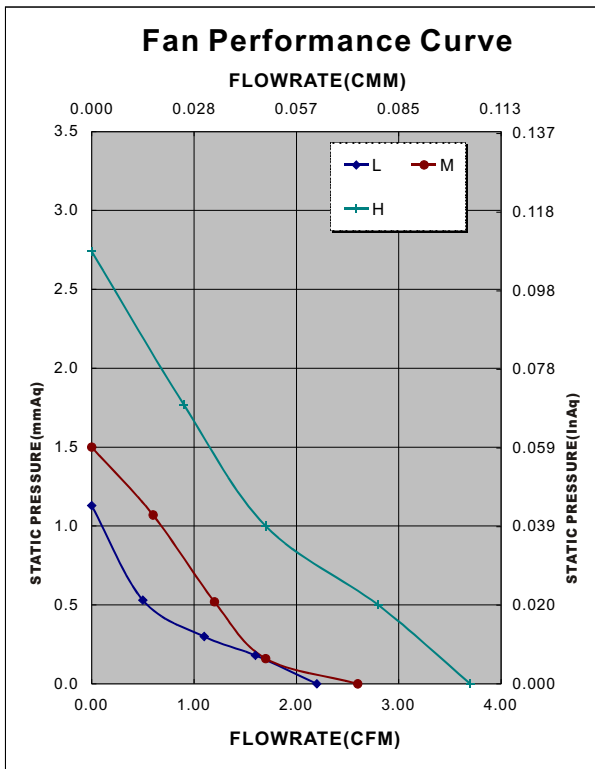
Spot cooling, also suitable for small space requirements, laptops PC and notebook, etc.,

Specifications(Nominal)

*: Noise is measured at the distance of one(1) meter from the axis of intake.

Frame size (mm)	Model No.	Bearing System Type	Rated Voltage (v)	Rated Current (A)	Rated Power (W)	Rated Speed (rpm)	Bearing type: =Ball =Sleeve =1B1S =Hypro bearing				Weight (g)	
							Maximum AirFlow (CMM)	Maximum AirFlow (CFM)	Maximum Pressure (InAq)	Maximum Pressure (mmAq)		Noise Level (dB/A)
30x30x15	AD0305LB-D50		5	0.07	0.35	4500	0.062	2.20	0.045	1.13	10.0	10
	AD0305MB-D50		5	0.10	0.50	5500	0.074	2.60	0.060	1.50	16.0	
	AD0305HB-D50		5	0.13	0.65	7000	0.105	3.70	0.110	2.75	22.5	
	AD0305LB-D51		5	0.07	0.35	4500	0.062	2.20	0.045	1.13	10.0	
	AD0305MB-D51		5	0.10	0.50	5500	0.074	2.60	0.060	1.50	16.0	
	AD0305HB-D51		5	0.13	0.65	7000	0.105	3.70	0.110	2.75	22.5	

Specifications subject to change without notice.



*Motor protective circuit and third lead wire functions

0	1	2	3	4	6	7	8	9	A	B
✓	✓	✓	✓		✓					✓

*Safety approvals

✓	✓		✓	✓	

