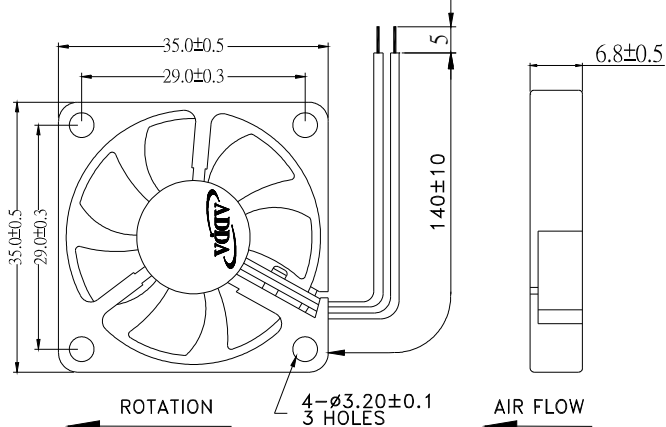


◀ **35X35X06mm Series** ▶

**External Dimensions**



Frame: Plastic(UL:94v-0)  
 Impeller: Plastic(UL:94v-0)  
 Bearing: Hypro bearing  
 Lead wire: UL1571AWG28  
 OPERATING TEMP\*: -10C~70C  
 VOLTAGE AVAILABLE: 5V, 12V  
 \*: -10C~60C for fans with sleeve/ball combination bearings.

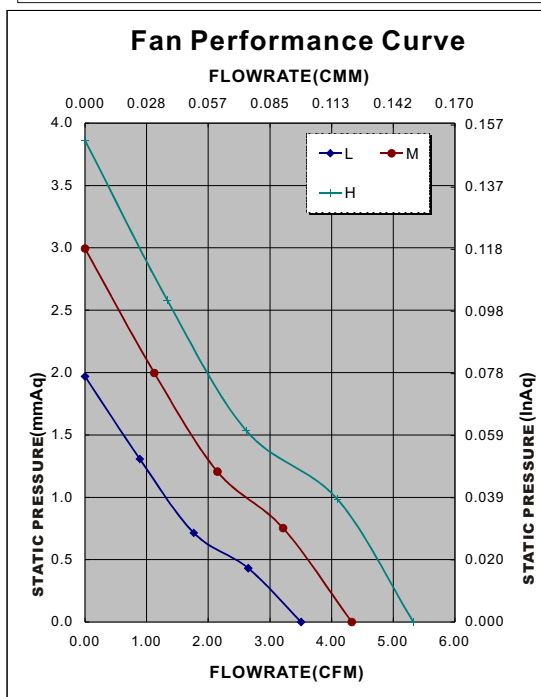
Spot cooling, also suitable for small space requirements, laptops PC and notebook, etc.,.

**Specifications(Nominal)**

\*: Noise is measured at the distance of one(1) meter from the axis of intake.

Frame size (mm)	Model No.	Bearing System Type	Rated Voltage (v)	Rated Current (A)	Rated Power (W)	Rated Speed (rpm)	Maximum AirFlow		Maximum Pressure		Noise Level (dB/A)	Weight (g)
							(CMM)	(CFM)	(InAq)	(mmAq)		
35x35x06	AD3505LX-K70		5	0.10	0.500	6500	0.099	3.51	0.079	1.97	19.0	7
	AD3505MX-K70		5	0.14	0.700	8000	0.123	4.33	0.120	2.99	28.0	
	AD3505HX-K70		5	0.15	0.750	9500	0.151	5.33	0.155	3.86	35.0	
	AD3512LX-K70		12	0.06	0.720	6500	0.099	3.51	0.079	1.97	19.0	
	AD3512MX-K70		12	0.08	0.960	8000	0.123	4.33	0.120	2.99	28.0	
	AD3512HX-K70		12	0.10	1.200	9500	0.151	5.33	0.155	3.86	35.0	
	AD3505LX-K71		5	0.10	0.500	6500	0.099	3.51	0.079	1.97	19.0	
	AD3505MX-K71		5	0.14	0.700	8000	0.123	4.33	0.120	2.99	28.0	
	AD3505HX-K71		5	0.15	0.750	9500	0.151	5.33	0.155	3.86	35.0	
	AD3512LX-K71		12	0.06	0.720	6500	0.099	3.51	0.079	1.97	19.0	
	AD3512MX-K71		12	0.08	0.960	8000	0.123	4.33	0.120	2.99	28.0	
	AD3512HX-K71		12	0.10	1.200	9500	0.151	5.33	0.155	3.86	35.0	

Specifications subject to change without notice.



\*Motor protective circuit and third lead wire functions

0	1	2	3	4	6	7	8	9	A	B
✓	✓		✓							✓

\*Safety approvals

			✓	✓	

