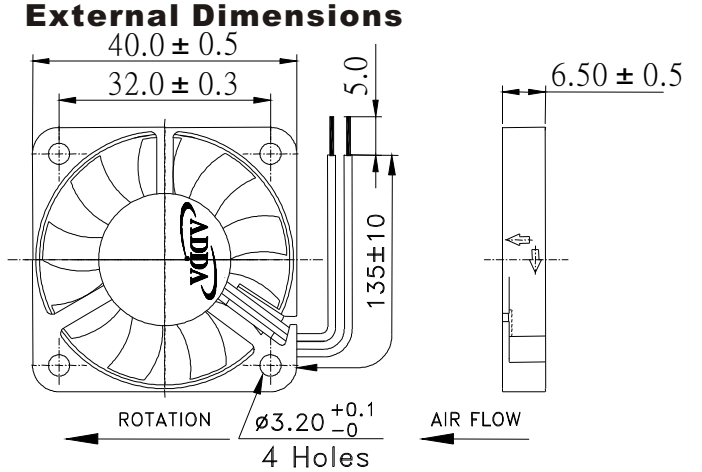


◀ **40X40X06mm Series** ▶



Frame: Plastic(UL:94v-0)
 Impeller: Plastic(UL:94v-0)
 Bearing: Hypro bearing
 Lead wire: UL1571AWG28
 OPERATING TEMP*: -10C~70C
 VOLTAGE AVAILABLE: 5V, 12V
 *:-10C~60C for fans with sleeve/ball combination bearings.

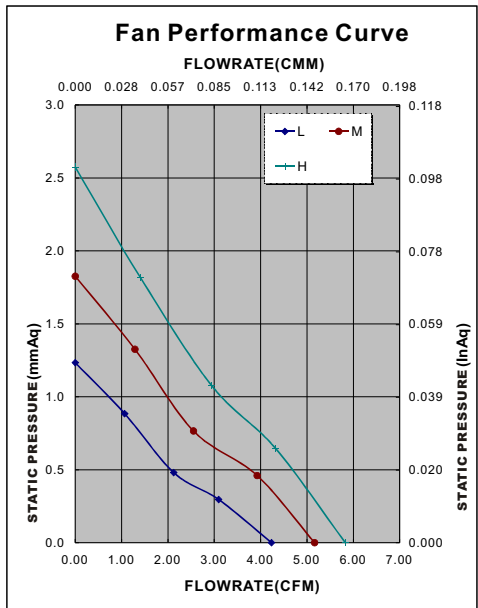
Spot cooling, also suitable for small space requirements, laptops PC and notebook, etc.,

Specifications(Nominal)

*: Noise is measured at the distance of one(1) meter from the axis of intake.

Frame size (mm)	Model No.	Bearing System Type	Rated Voltage (v)	Rated Current (A)	Rated Power (W)	Rated Speed (rpm)	Maximum AirFlow		Maximum Pressure		Noise Level (dB/A)	Weight (g)	
							(CMM)	(CFM)	(InAq)	(mmAq)			
40X40X06	AD0405HB-KC0		5	0.23	1.15	6000	0.164	5.83	0.103	2.57	31.2	9	
	AD0405MB-KC0		5	0.20	1.00	5500	0.145	5.16	0.073	1.83	28.6		
	AD0405LB-KC0		5	0.11	0.55	4500	0.119	4.24	0.049	1.23	22.4		
	AD0405HB-KC3		5	0.13	0.65	6000	0.164	5.83	0.103	2.57	31.2		
	AD0405MB-KC3		5	0.11	0.55	5500	0.145	5.16	0.073	1.83	28.6		
	AD0405LB-KC3		5	0.08	0.40	4500	0.119	4.24	0.049	1.23	22.4		
	AD0405HB-K90		5	0.12	0.60	6300	0.164	5.83	0.103	2.57	27.0		
	AD0405MB-K90		5	0.09	0.45	5500	0.145	5.16	0.073	1.83	23.8		
	AD0405LB-K90		5	0.05	0.25	4500	0.119	4.24	0.049	1.23	20.9		
	AD0405HB-K96		5	0.12	0.60	6300	0.164	5.83	0.103	2.57	27.0		
	AD0405MB-K96		5	0.09	0.45	5500	0.145	5.16	0.073	1.83	23.8		
	AD0405LB-K96		5	0.07	0.35	4500	0.119	4.24	0.049	1.23	20.9		
	AD0412HB-K90			12	0.08	0.96	6300	0.164	5.83	0.103	2.57		27.0
	AD0412MB-K90			12	0.06	0.72	5500	0.145	5.16	0.073	1.83		23.8
	AD0412LB-K90			12	0.06	0.72	4500	0.119	4.24	0.049	1.23		20.9

Specifications subject to change without notice.



*Motor protective circuit and third lead wire functions

0	1	2	3	4	6	7	8	9	A	B
✓	✓		✓		✓					

*Safety approvals

✓	✓		✓	✓	

