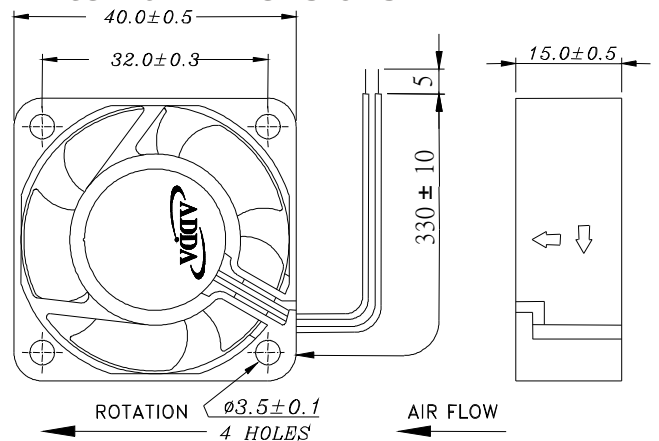


◀ **40X40X15mm Series** ▶



External Dimensions



Frame: Plastic(UL:94v-0)
 Impeller: Plastic(UL:94v-0)
 Bearing: Hypro bearing
 Lead wire: UL1007AWG24
 OPERATING TEMP*:-10C~70C
 VOLTAGE AVAILABLE:12V
 *:-10C~60C for fans with sleeve/ball combination bearings.

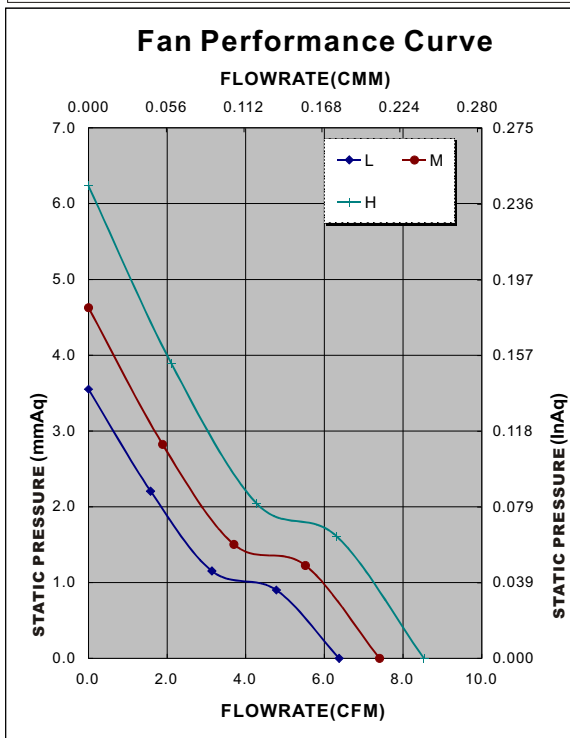
Spot cooling, also suitable for small space requirements, laptops PC and notebook, etc.,

Specifications(Nominal)

*:Noise is measured at the distance of one(1) meter from the axis of intake.

Frame size (mm)	Model No.	Bearing System Type	Rated Voltage (v)	Rated Current (A)	Rated Power (W)	Rated Speed (rpm)	Maximum AirFlow		Maximum Pressure		Noise Level (dB/A)	Weight (g)
							(CMM)	(CFM)	(InAq)	(mmAq)		
40X40X15	AD0412HB-D50		12	0.12	1.44	8000	0.240	8.53	0.249	6.23	39.3	27
	AD0412MB-D50		12	0.10	1.20	7000	0.208	7.40	0.185	4.63	31.8	
	AD0412LB-D50		12	0.08	0.96	6000	0.179	6.37	0.142	3.55	30.3	
	AD0412HB-D52		12	0.15	1.80	8000	0.240	8.53	0.249	6.23	39.3	
	AD0412MB-D52		12	0.12	1.44	7000	0.208	7.40	0.185	4.63	31.8	
	AD0412LB-D52		12	0.10	1.20	6000	0.179	6.37	0.142	3.55	30.3	
	AD0412HB-D56		12	0.12	1.44	8000	0.240	8.53	0.249	6.23	39.3	
	AD0412LB-D56		12	0.08	0.96	6000	0.179	6.37	0.142	3.55	30.3	

Specifications subject to change without notice.



*Motor protective circuit and third lead wire functions

0	1	2	3	4	6	7	8	9	A	B
✓	✓	✓	✓		✓					

*Safety approvals

✓	✓		✓	✓	

