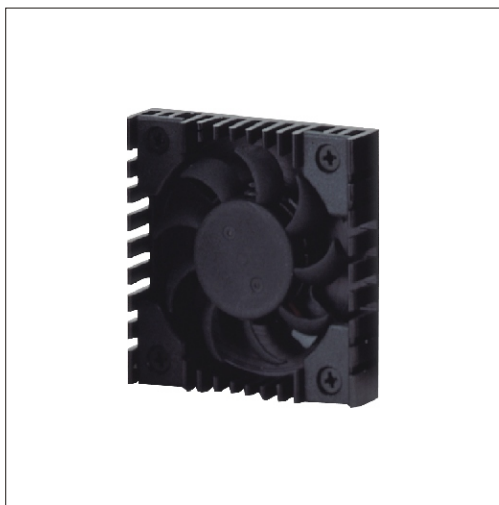
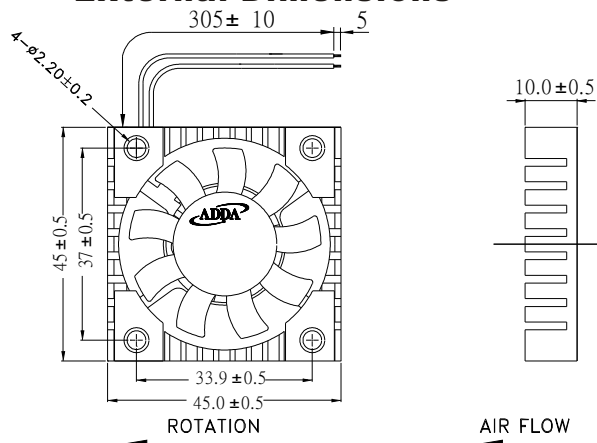


◀ **45X45X10mm Series** ▶



Spot cooling, also suitable for small space requirements, laptops PC and notebook, etc.,.

External Dimensions



Frame: Plastic (UL:94v-0)
 Impeller: Plastic (UL:94v-0)
 Bearing: Hydro bearing
 Lead wire: UL1571AWG28
 OPERATING TEMP*: -10C~70C
 VOLTAGE AVAILABLE: 5V, 12V
 *: -10C~60C for fans with sleeve/ball combination bearings.

Specifications (Nominal)

*: Noise is measured at the distance of one (1) meter from the axis of intake.

Frame size (mm)	Model No.	Bearing System Type	Rated Voltage (v)	Rated Current (A)	Rated Power (W)	Rated Speed (rpm)	Bearing type: =Ball =Sleeve =1B1S =Hypro bearing				Noise Level (dB/A)	Weight (g)
							Maximum AirFlow (CMM)	Maximum AirFlow (CFM)	Maximum Pressure (InAq)	Maximum Pressure (mmAq)		
45X45X10	AP4505HB-G90		5	0.12	0.60	6200	0.171	6.00	0.09	2.29	30.0	18
	AP4505MB-G90		5	0.09	0.45	5800	0.157	5.50	0.067	1.70	25.0	
	AP4505LB-G90		5	0.05	0.25	4800	0.128	4.50	0.051	1.30	19.9	
	AP4505HB-G96		5	0.12	0.60	6200	0.171	6.00	0.09	2.29	30.0	
	AP4505MB-G96		5	0.09	0.45	5800	0.157	5.50	0.067	1.70	25.0	
	AP4505LB-G96		5	0.05	0.25	4800	0.128	4.50	0.051	1.30	19.9	
	AP4512HB-G90		12	0.08	0.96	6200	0.171	6.00	0.09	2.29	30.0	
	AP4512MB-G90		12	0.06	0.72	5800	0.157	5.50	0.067	1.70	25.0	
	AP4512LB-G90		12	0.06	0.72	4800	0.128	4.50	0.051	1.30	19.9	
	AP4512HB-G96		12	0.08	0.96	6200	0.171	6.00	0.09	2.29	30.0	
	AP4512MB-G96		12	0.06	0.72	5800	0.157	5.50	0.067	1.70	25.0	
	AP4512LB-G96		12	0.06	0.72	4800	0.128	4.50	0.051	1.30	19.9	

Specifications subject to change without notice.

*Motor protective circuit and third lead wire functions

0	1	2	3	4	6	7	8	9	A	B
✓					✓					

*Safety approvals

✓	✓			✓	

