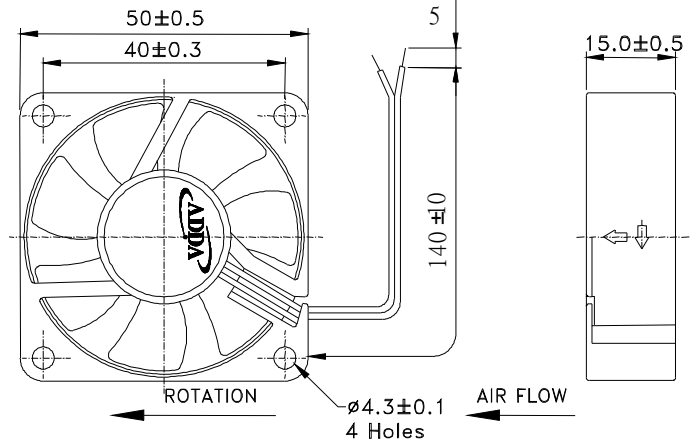


◀ **50X50X15mm Series** ▶



Spot cooling, also suitable for small space requirements, laptops PC and notebook, etc.,

External Dimensions



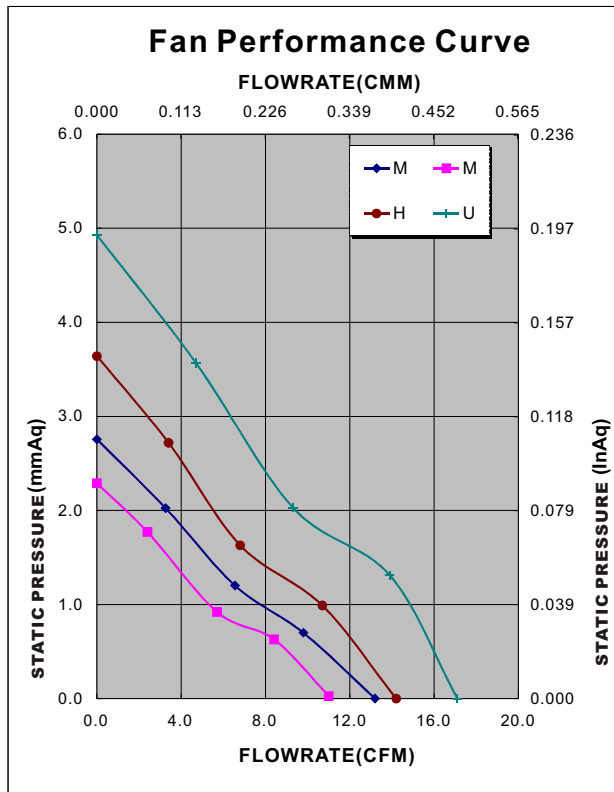
Frame: Plastic (UL:94v-0)
 Impeller: Plastic (UL:94v-0)
 Bearing: Hypro bearing
 Lead wire: UL2468AWG26
 OPERATING TEMP*: -10C~70C
 VOLTAGE AVAILABLE: 5V, 12V
 *:-10C~60C for fans with sleeve/ball combination bearings.

Specifications(Nominal)

*: Noise is measured at the distance of one (1) meter from the axis of intake.

Frame size (mm)	Model No.	Bearing System Type	Rated Voltage (v)	Rated Current (A)	Rated Power (W)	Rated Speed (rpm)	Maximum AirFlow		Maximum Pressure		Noise Level (dB/A)	Weight (g)
							(CMM)	(CFM)	(InAq)	(mmAq)		
50x50x15	AD5005HB-D70		5	0.35	1.750	4800	0.402	14.20	0.146	3.64	30.9	55
	AD5012LX-D70		12	0.08	0.960	3600	0.312	11.00	0.092	2.29	22.7	
	AD5012MX-D70		12	0.10	1.200	4300	0.374	13.20	0.110	2.76	29.0	
	AD5012HX-D70		12	0.14	1.680	4800	0.402	14.20	0.146	3.64	30.9	
	AD5012UX-D70		12	0.20	2.400	5500	0.484	17.10	0.197	4.93	33.8	

Specifications subject to change without notice.



*Motor protective circuit and third lead wire functions

0	1	2	3	4	6	7	8	9	A	B
✓					✓					

*Safety approvals

✓	✓		✓	✓	

