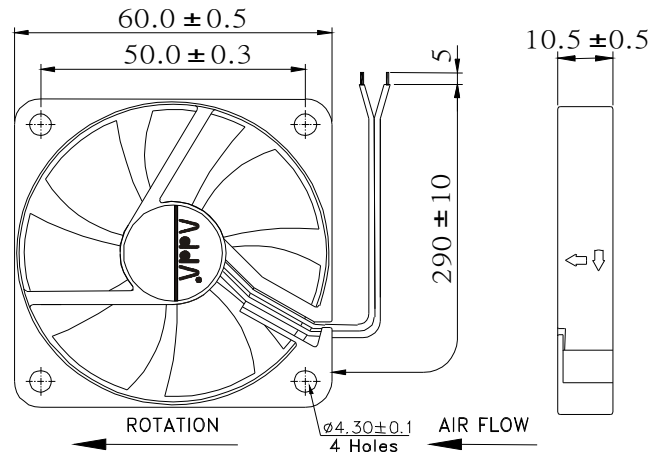


◀60X60X10mm Series▶



Spot cooling, also suitable for small space requirements, laptops PC and notebook, etc.,.

**External Dimensions**



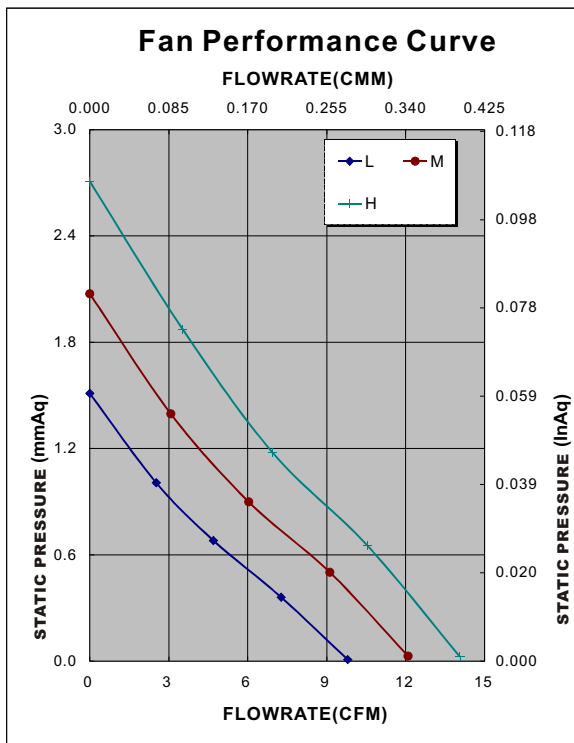
Frame: Plastic (UL:94v-0)  
 Impeller: Plastic (UL:94v-0)  
 Bearing: Hydro bearing  
 Lead wire: UL2468AWG26  
 OPERATING TEMP\*: -10C~70C  
 VOLTAGE AVAILABLE: 5V, 12V  
 \*: -10C~60C for fans with sleeve/ball combination bearings.

**Specifications (Nominal)**

\*: Noise is measured at the distance of one (1) meter from the axis of intake.

Frame size (mm)	Model No.	Bearing System Type	Rated Voltage (v)	Rated Current (A)	Rated Power (W)	Rated Speed (rpm)	Bearing type: =Ball =Sleeve =1B1S =Hydro bearing				Weight (g)	
							Maximum AirFlow (CMM)	Maximum AirFlow (CFM)	Maximum Pressure (InAq)	Maximum Pressure (mmAq)		Noise Level (dB/A)
60X60X10	AD0605LB-G70(T)		5	0.13	0.65	3500	0.276	9.80	0.060	1.51	23.1	23
	AD0605MB-G70(T)		5	0.15	0.75	4200	0.341	12.09	0.083	2.07	28.7	
	AD0612LB-G70(T)		12	0.11	1.32	3500	0.276	9.80	0.060	1.51	23.1	
	AD0612MB-G70(T)		12	0.13	1.56	4200	0.341	12.09	0.083	2.07	28.7	
	AD0612HB-G70(T)		12	0.15	1.80	4900	0.396	14.06	0.108	2.71	33.1	

Specifications subject to change without notice.



\*Motor protective circuit and third lead wire functions

0	1	2	3	4	6	7	8	9	A	B
✓					✓					

\*Safety approvals

✓	✓		✓	✓	✓

