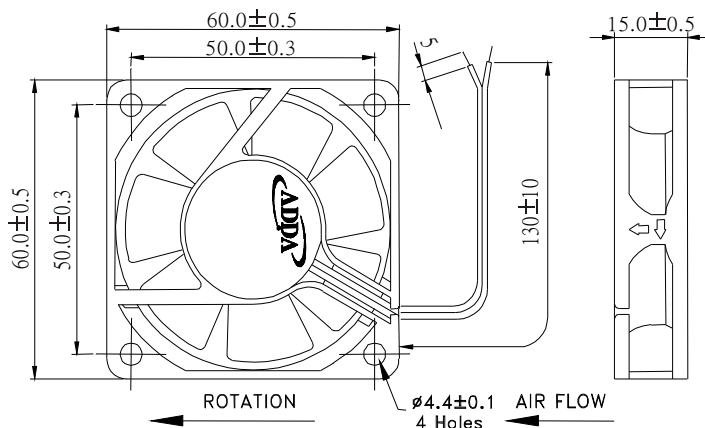


60X60X15mm Series
External Dimensions



Frame: Plastic(UL:94v-0)
 Impeller: Plastic(UL:94v-0)
 Bearing: Hypro bearing
 Lead wire: UL2468AWG26
 OPERATING TEMP*: -10C~70C
 VOLTAGE AVAILABLE: 5V, 12V, 24V
 *:-10C~60C for fans with sleeve/ball combination bearings.

Spot cooling, also suitable for small space requirements, laptops PC and notebook, etc.,

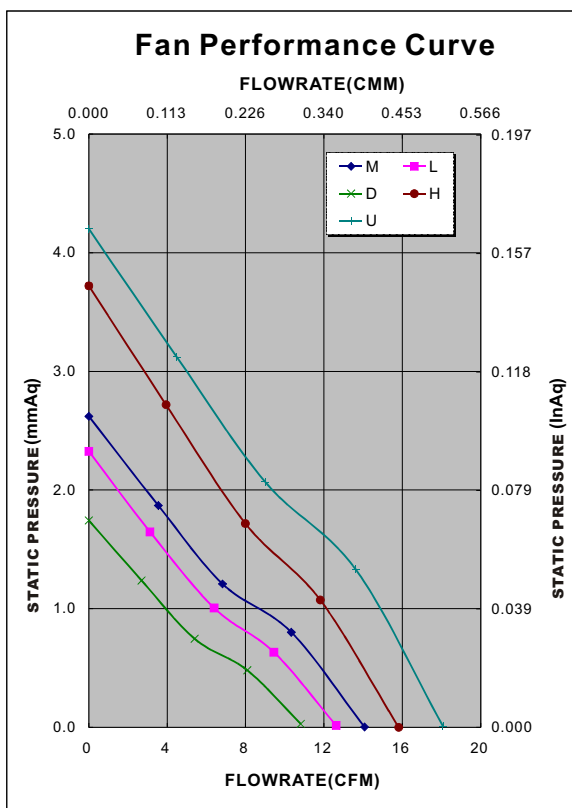
Specifications(Nominal)

*: Noise is measured at the distance of one(1) meter from the axis of intake.

Frame size (mm)	Model No.	Bearing System Type	Rated Voltage (v)	Rated Current (A)	Rated Power (W)	Rated Speed (rpm)	Maximum AirFlow		Maximum Pressure		Noise Level (dB/A)	Weight (g)
							(CMM)	(CFM)	(InAq)	(mmAq)		
60X60X15	AD0605LB-D70GL(T)		5	0.2	1.00	3500	0.355	12.62	0.093	2.33	25.3	38
	AD0605MB-D70GL(T)		5	0.23	1.15	3900	0.397	14.08	0.105	2.62	31.2	
	AD0605HB-D70GL(T)		5	0.25	1.25	4500	0.446	15.82	0.149	3.72	33.4	
	AD0612DB-D70GL(T)		12	0.07	0.84	3100	0.305	10.82	0.070	1.74	23.8	
	AD0612LB-D70GL(T)		12	0.09	1.08	3500	0.355	12.62	0.093	2.33	25.3	
	AD0612MB-D70GL(T)		12	0.11	1.32	3900	0.397	14.08	0.105	2.62	31.2	
	AD0612HB-D70GL(T)		12	0.13	1.56	4500	0.446	15.82	0.149	3.72	33.4	
	AD0612UB-D70GL(T)		12	0.15	1.80	5100	0.509	18.08	0.168	4.20	38.5	
	AD0624HB-D70GL(T)		24	0.09	2.16	4500	0.446	15.82	0.149	3.72	33.4	

Bearing type: =Ball =Sleeve =1B1S =Hypro bearing

Specifications subject to change without notice.



*Motor protective circuit and third lead wire functions

0	1	2	3	4	6	7	8	9	A	B
✓					✓					

*Safety approvals

✓	✓		✓	✓	✓

