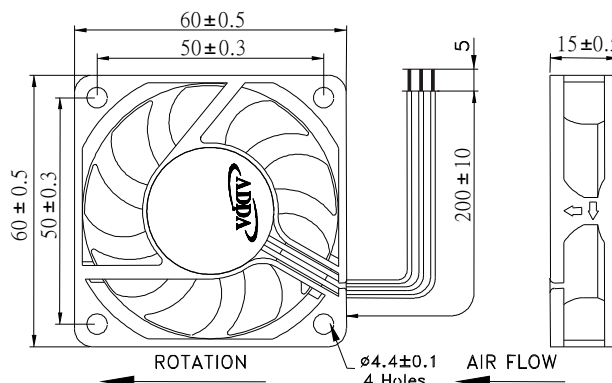


◀ **60X60X15mm Series** ▶



External Dimensions



Frame: Plastic(UL:94v-0)
 Impeller: Plastic(UL:94v-0)
 Bearing: Hypro bearing
 Lead wire: UL1007AWG26
 OPERATING TEMP*: -10C~70C
 VOLTAGE AVAILABLE: 12V
 *:-10C~60C for fans with sleeve/ball combination bearings.

Spot cooling, also suitable for small space requirements, laptops PC and notebook, etc.,.

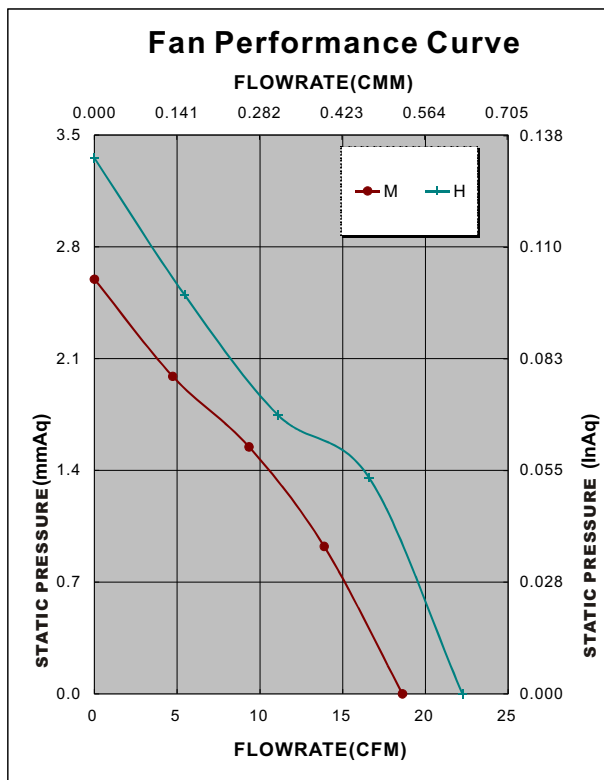
Specifications(Nominal)

*: Noise is measured at the distance of one(1) meter from the axis of intake.

| Frame size (mm) | Model No. | Bearing System Type | Rated Voltage (v) | Rated Current (A) | Rated Power (W) | Rated Speed (rpm) | Maximum AirFlow | | Maximum Pressure | | Noise Level (dB/A) | Weight (g) |
|-----------------|-----------------|---------------------|-------------------|-------------------|-----------------|-------------------|-----------------|-------|------------------|--------|--------------------|------------|
| | | | | | | | (CMM) | (CFM) | (InAq) | (mmAq) | | |
| 60X60X15 | AD0612MB-D91 | | 12 | 0.15 | 1.80 | 3900 | 0.524 | 18.61 | 0.104 | 2.60 | 30.2 | 38 |
| | AD0612MB-D90(T) | | 12 | 0.15 | 1.80 | 3900 | 0.524 | 18.61 | 0.104 | 2.60 | 30.2 | |
| | AD0612HB-D91 | | 12 | 0.18 | 2.16 | 4500 | 0.626 | 22.24 | 0.134 | 3.36 | 32.7 | |
| | AD0612HB-D90(T) | | 12 | 0.18 | 2.16 | 4500 | 0.626 | 22.24 | 0.134 | 3.36 | 32.7 | |

Bearing type: =Ball =Sleeve =1B1S =Hypro bearing

Specifications subject to change without notice.



*Motor protective circuit and third lead wire functions

| | | | | | | | | | | |
|---|---|---|---|---|---|---|---|---|---|---|
| 0 | 1 | 2 | 3 | 4 | 6 | 7 | 8 | 9 | A | B |
| ✓ | ✓ | ✓ | ✓ | ✓ | ✓ | | ✓ | | | |

*Safety approvals

| | | | | | | | | | | |
|---|---|--|---|---|---|---|---|---|---|---|
| | | | | | | | | | | |
| ✓ | ✓ | | ✓ | ✓ | ✓ | ✓ | ✓ | ✓ | ✓ | ✓ |

