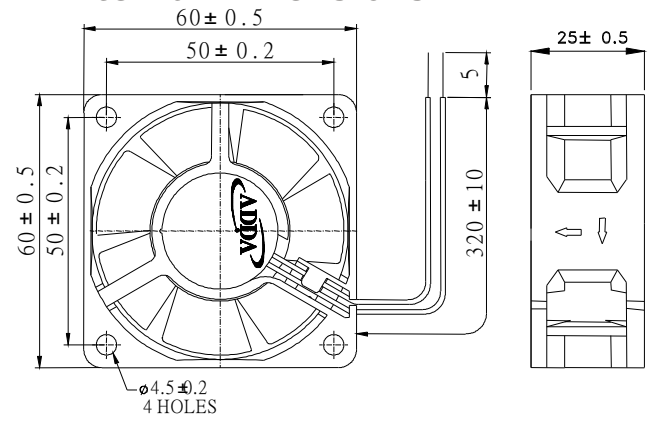


◀ **20X20X06mm Series** ▶



External Dimensions



Frame: Plastic(UL:94v-0)
 Impeller: Plastic(UL:94v-0)
 Bearing: Hypro bearing
 Lead wire: UL1007AWG24
 OPERATING TEMP*: -10C~70C
 VOLTAGE AVAILABLE: 5V, 12V, 24V
 *:-10C~60C for fans with sleeve/ball combination bearings.
 *: Noise is measured at the distance of one(1) meter from the axis of intake.

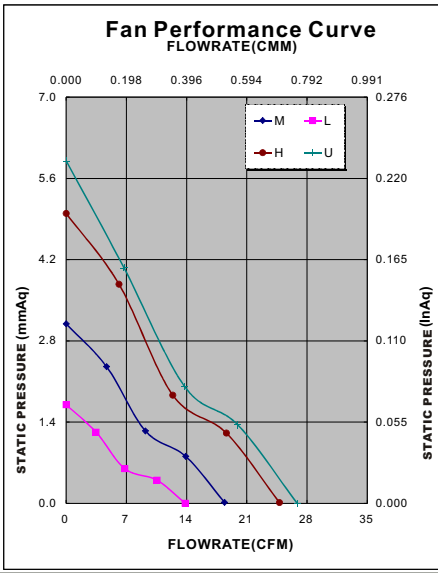
Spot cooling, also suitable for small space requirements, laptops PC and notebook, etc.,

Specifications(Nominal)

Frame size (mm)	Model No.	Bearing System Type	Rated Voltage (v)	Rated Current (A)	Rated Power (W)	Rated Speed (rpm)	Maximum AirFlow		Maximum Pressure		Noise Level (dB/A)	Weight (g)
							(CMM)	(CFM)	(InAq)	(mmAq)		
60X60X25	AD0605MB-A70GL		5	0.32	1.60	3500	0.506	17.95	0.108	2.69	27.1	68
	AD0605HB-A70GL		5	0.45	2.25	4500	0.675	23.98	0.178	4.45	33.9	
	AD0605MB-A71GL		5	0.32	1.60	3500	0.506	17.95	0.108	2.69	27.1	
	AD0605HB-A71GL		5	0.6	3.00	4500	0.675	23.98	0.178	4.45	33.9	
	AD0612LB-A70GL		12	0.08	0.96	2500	0.356	12.65	0.055	1.38	18.1	
	AD0612LB-A71GL		12	0.08	0.96	2500	0.356	12.65	0.055	1.38	18.1	
	AD0612MB-A70GL		12	0.14	1.68	3500	0.506	17.95	0.108	2.69	27.1	
	AD0612MB-A71GL		12	0.14	1.68	3500	0.506	17.95	0.108	2.69	27.1	
	AD0612HB-A70GL		12	0.23	2.76	4500	0.675	23.98	0.178	4.45	33.9	
	AD0612HB-A71GL		12	0.23	2.76	4500	0.675	23.98	0.178	4.45	33.9	
	AD0612UB-A70GL		12	0.25	3.00	5000	0.757	26.86	0.236	5.90	37.9	
	AD0612UB-A71GL		12	0.27	3.24	5300	0.796	28.27	0.247	6.17	38.7	
	AD0612XB-A71GL		12	0.38	4.56	6100	0.882	31.30	0.330	8.26	42.9	
	AD0624LB-A70GL		24	0.05	1.20	2500	0.356	12.65	0.055	1.38	18.1	
	AD0624MB-A70GL		24	0.08	1.92	3500	0.506	17.95	0.108	2.69	27.1	
	AD0624MB-A71GL		24	0.08	1.92	3500	0.506	17.95	0.108	2.69	27.1	
	AD0624HB-A70GL		24	0.15	3.60	4500	0.675	23.98	0.178	4.45	33.9	
	AD0624HB-A71GL		24	0.15	3.60	4500	0.675	23.98	0.178	4.45	33.9	
	AD0624UB-A70GL		24	0.16	3.84	5000	0.757	26.86	0.236	5.90	37.9	
	AD0624UB-A71GL		24	0.16	3.84	5000	0.757	26.86	0.236	5.90	37.9	

Bearing type: =Ball =Sleeve =1B1S =Hypro bearing

Specifications subject to change without notice.



*Motor protective circuit and third lead wire functions

0	1	2	3	4	6	7	8	9	A	B
✓	✓	✓	✓	✓	✓		✓			

*Safety approvals

✓	✓	✓	✓	✓	✓	✓	✓	✓	✓	✓

