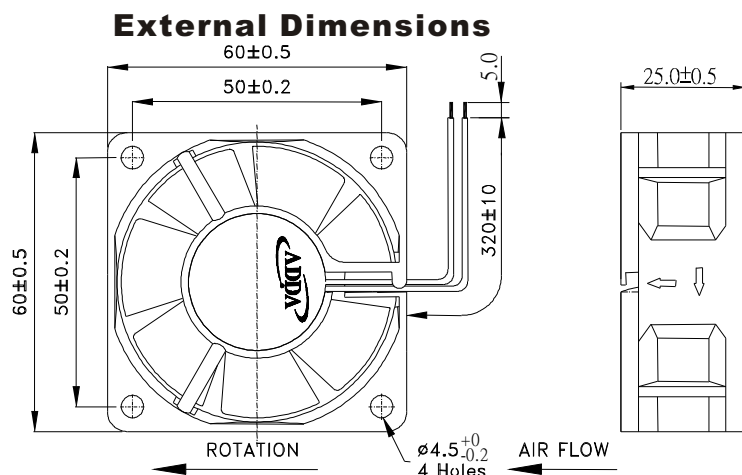


◀ **60X60X25mm Series** ▶



Spot cooling, also suitable for small space requirements, laptops PC and notebook, etc.,



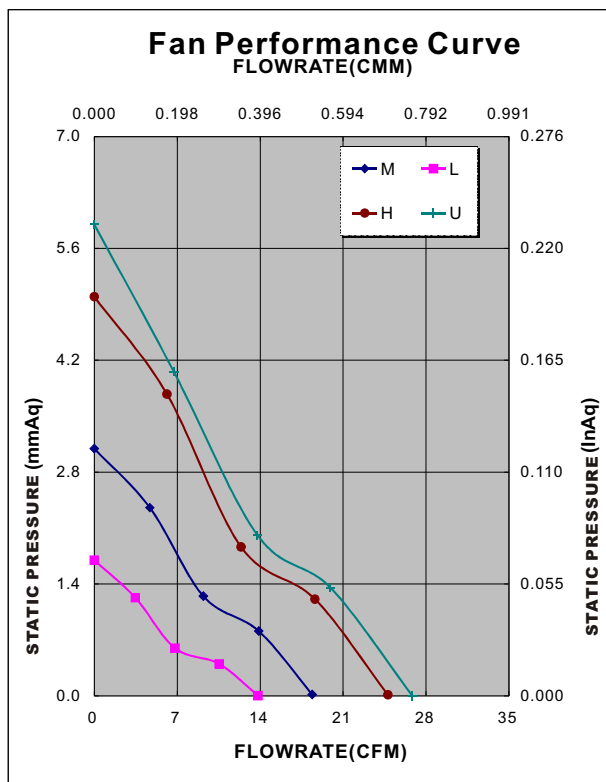
Frame: Plastic (UL:94v-0)  
 Impeller: Plastic (UL:94v-0)  
 Bearing: Hydro bearing  
 Lead wire: UL1007AWG24  
 OPERATING TEMP\*: -10C~70C  
 VOLTAGE AVAILABLE: 5V, 12V, 24V  
 \*:-10C~60C for fans with sleeve/ball combination bearings.

**Specifications (Nominal)**

\*: Noise is measured at the distance of one (1) meter from the axis of intake.

Frame size (mm)	Model No.	Bearing System Type	Rated Voltage (v)	Rated Current (A)	Rated Power (W)	Rated Speed (rpm)	AirFlow		Pressure		Noise Level (dB/A)	Weight (g)
							Maximum (CMM)	Maximum (CFM)	Maximum (InAq)	Maximum (mmAq)		
60X60X25	AD0605MB-A70GL(T)		5	0.32	1.60	3600	0.521	18.41	0.124	3.09	27.1	68
	AD0612LB-A70GL(T)		12	0.08	0.96	2700	0.392	13.82	0.068	1.70	20.3	
	AD0612MB-A70GL(T)		12	0.14	1.68	3600	0.521	18.41	0.124	3.09	27.1	
	AD0612HB-A70GL(T)		12	0.23	2.76	4600	0.702	24.78	0.200	5.00	35.2	
	AD0612UB-A70GL(T)		12	0.25	3.00	5000	0.761	26.86	0.236	5.90	37.9	
	AD0624MB-A70GL(T)		24	0.08	1.92	3600	0.521	18.41	0.124	3.09	27.1	
	AD0624HB-A70GL(T)		24	0.15	3.60	4600	0.702	24.78	0.200	5.00	35.2	
	AD0624UB-A70GL(T)		24	0.16	3.84	5000	0.761	26.86	0.236	5.90	37.9	

Specifications subject to change without notice.



\*Motor protective circuit and third lead wire functions

0	1	2	3	4	6	7	8	9	A	B
✓					✓					

\*Safety approvals

✓	✓	✓	✓	✓	✓

