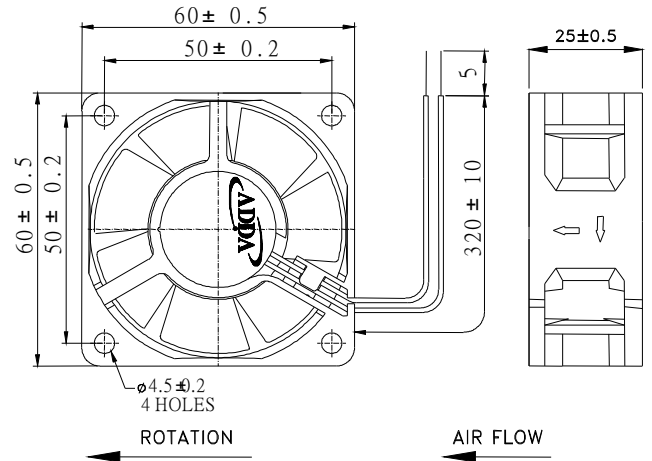


◀ 60X60X25mm Series ▶



External Dimensions



Frame: Plastic(UL:94v-0)
 Impeller: Plastic(UL:94v-0)
 Bearing: Ball bearing
 Lead wire: UL1007AWG24
 OPERATING TEMP*: -10C~70C
 VOLTAGE AVAILABLE: 12V
 *: -10C~60C for fans with sleeve/ball combination bearings.

Spot cooling, also suitable for small space requirements, laptops PC and notebook, etc.,.

Specifications(Nominal)

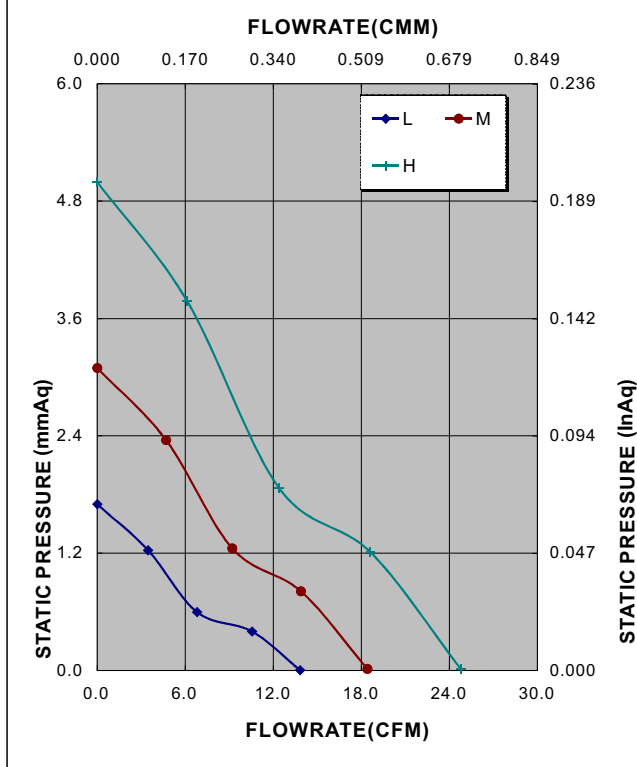
*: Noise is measured at the distance of one(1) meter from the axis of intake.

Frame size (mm)	Model No.	Bearing System Type	Rated Voltage (v)	Rated Current (A)	Rated Power (W)	Rated Speed (rpm)	Maximum AirFlow		Maximum Pressure		Noise Level (dB/A)	Weight (g)
							(CMM)	(CFM)	(InAq)	(mmAq)		
60X60X25	AQ0612HB-A70GL(T)		12	0.23	2.76	4500	0.679	23.98	0.175	4.45	33.9	
	AQ0612MB-A70GL(T)		12	0.14	1.68	3500	0.508	17.95	0.106	2.69	27.1	58
	AQ0612LB-A70GL(T)		12	0.08	0.96	2500	0.358	12.65	0.054	1.38	18.1	

Bearing type: =Ball =Sleeve =1B1S =Hydro bearing

Specifications subject to change without notice.

Fan Performance Curve



*Motor protective circuit and third lead wire functions

0	1	2	3	4	6	7	8	9	A	B
✓					✓					

*Safety approvals

				✓	

