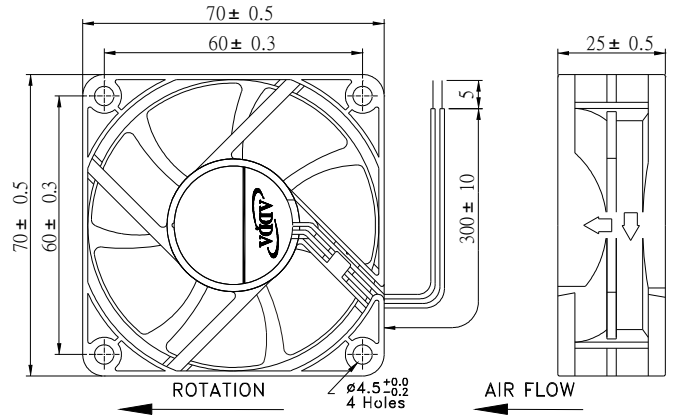


◀ **70X70X25mm Series** ▶



Spot cooling, also suitable for small space requirements, laptops PC and notebook, etc.,.

External Dimensions



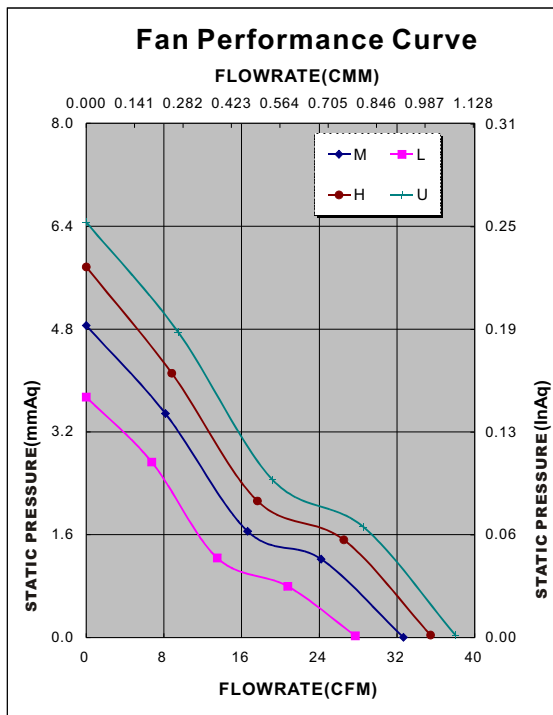
Frame: Plastic (UL:94v-0)
 Impeller: Plastic (UL:94v-0)
 Bearing: Ball bearing
 Lead wire: UL1007AWG24
 OPERATING TEMP*: -10C~70C
 VOLTAGE AVAILABLE: 12V
 *: -10C~60C for fans with sleeve/ball combination bearings.

Specifications (Nominal)

*: Noise is measured at the distance of one (1) meter from the axis of intake.

Frame size (mm)	Model No.	Bearing System Type	Rated Voltage (v)	Rated Current (A)	Rated Power (W)	Rated Speed (rpm)	Maximum AirFlow		Maximum Pressure		Noise Level (dB/A)	Weight (g)
							(CMM)	(CFM)	(InAq)	(mmAq)		
70X70X25	AD0712UB-A71GL		12	0.30	3.60	4500	1.070	38.00	0.258	6.46	37.0	61
	AD0712HB-A71GL		12	0.21	2.52	4200	1.000	35.50	0.231	5.77	35.7	
	AD0712MB-A71GL		12	0.15	1.80	3800	0.920	32.67	0.194	4.86	32.5	
	AD0712LB-A71GL		12	0.13	1.56	3300	0.783	27.80	0.149	3.73	29.3	

Specifications subject to change without notice.



*Motor protective circuit and third lead wire functions

0	1	2	3	4	6	7	8	9	A	B
	✓	✓	✓							

*Safety approvals

✓	✓		✓	✓	

