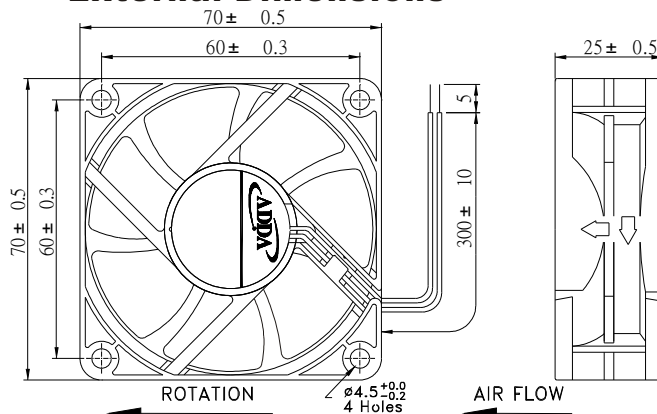


◀ 70X70X25mm Series ▶



Spot cooling, also suitable for small space requirements, laptops PC and notebook, etc.,.

External Dimensions



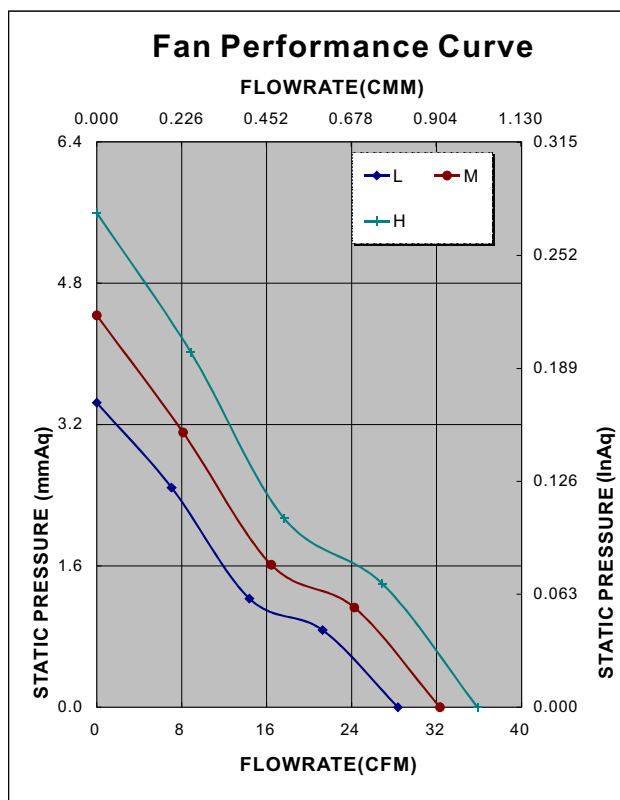
Frame: Plastic(UL:94v-0)
Impeller: Plastic(UL:94v-0)
Bearing: Ball bearing
Lead wire: UL1007AWG24
OPERATING TEMP*:-10C~70C
VOLTAGE AVAILABLE: 12V
*:-10C~60C for fans with sleeve/ball combination bearings.

Specifications(Nominal)

*:Noise is measured at the distance of one(1) meter from the axis of intake.

Frame size (mm)	Model No.	Bearing System Type	Rated Voltage (v)	Rated Current (A)	Rated Power (W)	Rated Speed (rpm)	Bearing type: =Ball =Sleeve =1B1S =Hypro bearing				Weight (g)	
							Maximum AirFlow (CMM)	Maximum AirFlow (CFM)	Maximum Pressure (InAq)	Maximum Pressure (mmAq)		Noise Level (dB/A)
70X70X25	AQ0712HB-A70GL(T)		12	0.19	2.28	4200	1.016	35.86	0.220	5.60	35.5	62
	AQ0712MB-A70GL(T)		12	0.16	1.92	3800	0.915	32.33	0.180	4.40	32.0	
	AQ0712LB-A70GL(T)		12	0.12	1.44	3300	0.803	28.37	0.140	3.45	28.0	

Specifications subject to change without notice.



*Motor protective circuit and third lead wire functions

0	1	2	3	4	6	7	8	9	A	B
✓					✓					

*Safety approvals

