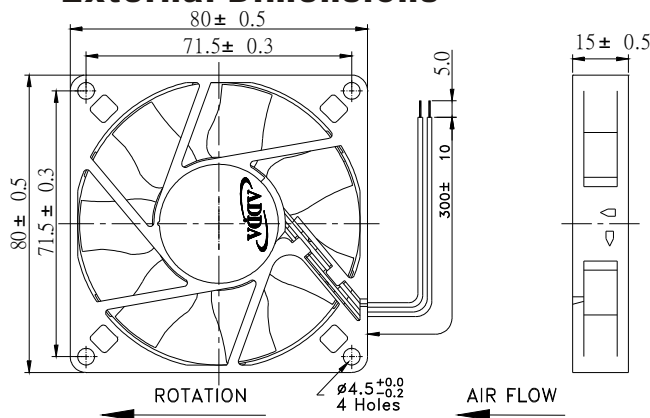


**80X80X15mm Series**  
**External Dimensions**



Spot cooling, also suitable for small space requirements, laptops PC and notebook, etc.,

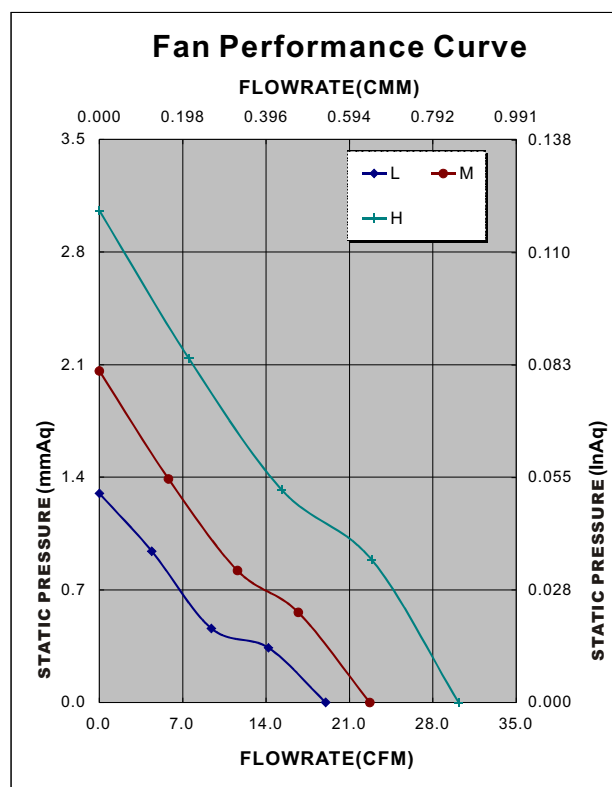
Frame: Plastic(UL:94v-0)  
Impeller: Plastic(UL:94v-0)  
Bearing: Hypro bearing  
Lead wire: UL1007AWG24  
OPERATING TEMP\*: -10C~70C  
VOLTAGE AVAILABLE: 5V, 12V, 24V  
\*: -10C~60C for fans with sleeve/ball combination bearings.

**Specifications(Nominal)**

\*: Noise is measured at the distance of one(1) meter from the axis of intake.

Frame size (mm)	Model No.	Bearing System Type	Rated Voltage (v)	Rated Current (A)	Rated Power (W)	Rated Speed (rpm)	Maximum AirFlow		Maximum Pressure		Noise Level (dB/A)	Weight (g)
							(CMM)	(CFM)	(InAq)	(mmAq)		
80X80X15	AD0805HB-D71	=Ball	5	0.43	2.15	3200	0.854	29.9	0.129	3.277	31.4	63
	AD0805MB-D71		5	0.24	1.20	2440	0.640	22.4	0.083	2.108	26.0	
	AD0812HB-D71	=Sleeve	12	0.19	2.28	3200	0.854	29.9	0.129	3.277	33.4	
	AD0812MB-D71		12	0.15	1.80	2440	0.640	22.4	0.083	2.108	26.0	
	AD0812LB-D71	=1B1S	12	0.09	1.08	2000	0.571	20.0	0.050	1.270	19.6	
	AD0812HB-D74		12	0.17	2.04	3200	0.874	30.6	0.110	2.794	31.5	
	AD0812HB-D78	=Hypro bearing	12	0.17	2.04	3200	0.874	30.6	0.120	3.048	34.3	
	AD0824HB-D71		24	0.13	3.12	3200	0.914	32.0	0.131	3.327	33.6	
	AD0824MB-D71	24	0.10	2.40	2440	2440	0.6	21.0	0.070	1.778	27.0	

Specifications subject to change without notice.



\*Motor protective circuit and third lead wire functions

0	1	2	3	4	6	7	8	9	A	B
	✓	✓	✓	✓			✓			

\*Safety approvals

✓	✓		✓	✓	✓

