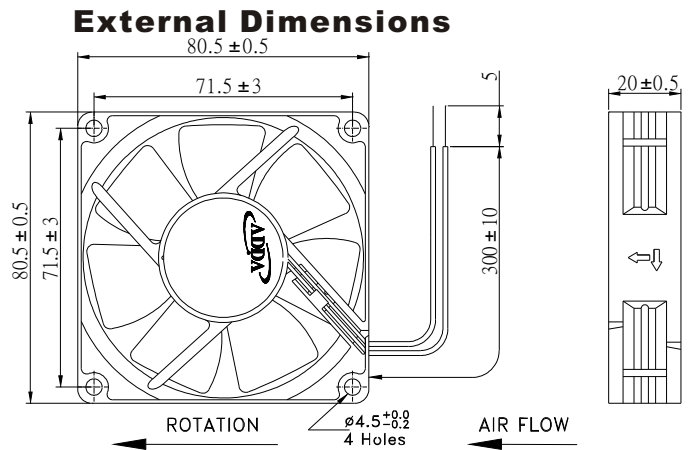


◀ **80X80X20mm Series** ▶



Spot cooling, also suitable for small space requirements, laptops PC and notebook, etc.,.



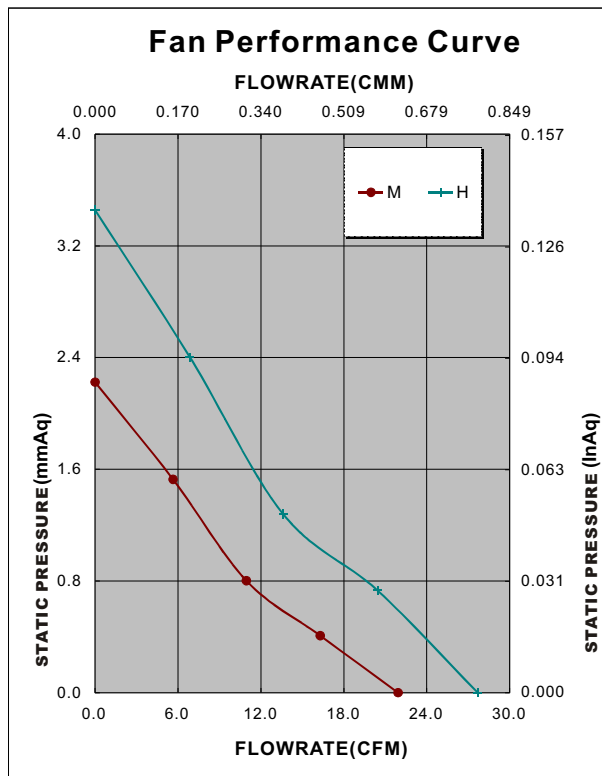
Frame: Plastic (UL:94v-0)  
Impeller: Plastic (UL:94v-0)  
Bearing: Hypro bearing  
Lead wire: UL1007AWG24  
OPERATING TEMP\*: -10C~70C  
VOLTAGE AVAILABLE: 5V, 12V, 24V  
\*:-10C~60C for fans with sleeve/ball combination bearings.

**Specifications (Nominal)**

\*: Noise is measured at the distance of one (1) meter from the axis of intake.

Frame size (mm)	Model No.	Bearing System Type	Rated Voltage (v)	Rated Current (A)	Rated Power (W)	Rated Speed (rpm)	Bearing type: =Ball =Sleeve =1B1S =Hypro bearing				Noise Level (dB/A)	Weight (g)
							Maximum AirFlow (CMM)	Maximum AirFlow (CFM)	Maximum Pressure (InAq)	Maximum Pressure (mmAq)		
80X80X20	AD0805HB-C71		5	0.38	1.90	3010	0.769	27.30	0.138	3.46	31.4	70
	AD0805MB-C71		5	0.25	1.25	2400	0.618	21.93	0.089	2.22	27.5	
	AD0812HB-C71		12	0.24	2.88	3010	0.769	27.30	0.138	3.46	31.4	
	AD0812MB-C71		12	0.16	1.92	2440	0.618	21.93	0.089	2.22	25.4	
	AD0824HB-C71		24	0.15	3.60	3010	0.769	27.30	0.138	3.46	31.4	

Specifications subject to change without notice.



\*Motor protective circuit and third lead wire functions

0	1	2	3	4	6	7	8	9	A	B
	✓	✓	✓							

\*Safety approvals

				✓	✓

