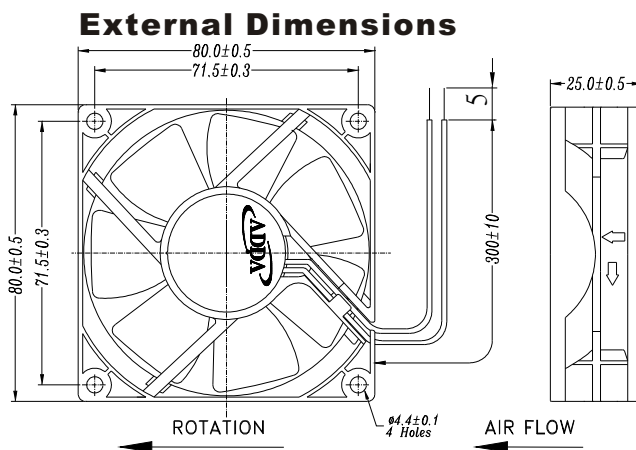


◀ **80X80X25mm Series** ▶



Spot cooling, also suitable for small space requirements, laptops PC and notebook, etc.,



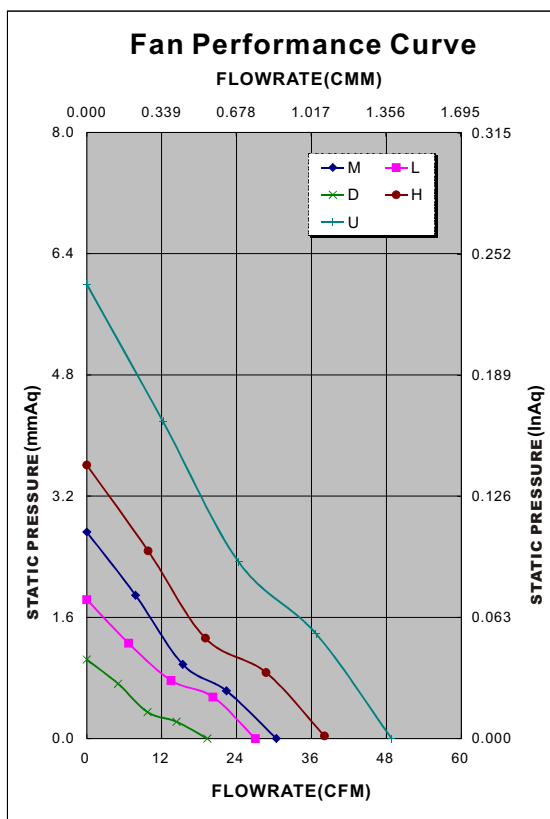
Frame: Plastic(UL:94v-0)  
 Impeller: Plastic(UL:94v-0)  
 Bearing: Hypro bearing  
 Lead wire: UL1007AWG24  
 OPERATING TEMP\*: -10C~70C  
 VOLTAGE AVAILABLE: 12V, 24V  
 \*:-10C~60C for fans with sleeve/ball combination bearings.

\*: Noise is measured at the distance of one (1) meter from the axis of intake.

**Specifications(Nominal)**

Frame size (mm)	Model No.	Bearing System Type	Rated Voltage (v)	Rated Current (A)	Rated Power (W)	Rated Speed (rpm)	Bearing type: =Ball =Sleeve =1B1S =Hypro bearing				Noise Level (dB/A)	Weight (g)
							Maximum AirFlow (CMM)	Maximum AirFlow (CFM)	Maximum Pressure (InAq)	Maximum Pressure (mmAq)		
80X80X25	AD0812UB-A71GL		12	0.45	5.40	3900	1.376	48.84	0.240	6.00	41.0	86
	AD0812HB-A71GL		12	0.25	3.00	3010	1.072	38.07	0.144	3.61	34.4	
	AD0812MB-A71GL		12	0.15	1.80	2440	0.855	30.37	0.109	2.73	28.3	
	AD0812LB-A71GL		12	0.12	1.44	2030	0.761	27.00	0.073	1.83	22.5	
	AD0812DB-A71GL		12	0.08	0.96	1600	0.545	19.33	0.042	1.04	14.0	
	AD0824UB-A71GL		24	0.26	6.24	3900	1.376	48.84	0.240	6.00	41.0	
	AD0824HB-A71GL		24	0.16	3.84	3010	1.072	38.07	0.144	3.61	34.4	
	AD0824MB-A71GL		24	0.10	2.40	2440	0.855	30.37	0.109	2.73	28.3	

Specifications subject to change without notice.



\*Motor protective circuit and third lead wire functions

0	1	2	3	4	6	7	8	9	A	B
	✓	✓	✓							

\*Safety approvals

✓	✓	✓	✓	✓	✓

