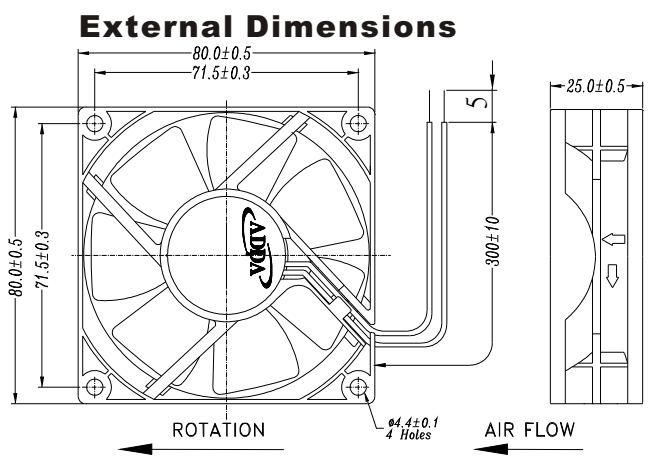


◀ **80X80X25mm Series** ▶



Spot cooling, also suitable for small space requirements, laptops PC and notebook, etc.,

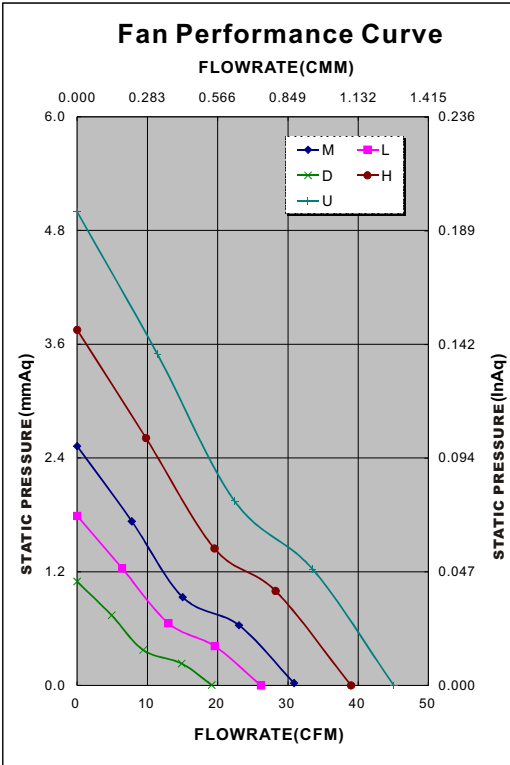
Frame: Plastic (UL: 94v-0)  
 Impeller: Plastic (UL: 94v-0)  
 Bearing: Hydro bearing  
 Lead wire: UL1007AWG24  
 OPERATING TEMP\*: -10C~70C  
 VOLTAGE AVAILABLE: 12V, 24V  
 \*: -10C~60C for fans with sleeve/ball combination bearings.

**Specifications (Nominal)**

\*: Noise is measured at the distance of one (1) meter from the axis of intake.

Frame size (mm)	Model No.	Bearing System Type	Rated Voltage (v)	Rated Current (A)	Rated Power (W)	Rated Speed (rpm)	Bearing type: =Ball =Sleeve =1B1S =Hydro bearing				Weight (g)	
							Maximum AirFlow (CMM)	Maximum AirFlow (CFM)	Maximum Pressure (InAq)	Maximum Pressure (mmAq)		Noise Level (dB/A)
80X80X25	AD0812UB-A70GL(T)		12	0.30	3.60	3400	1.270	45.07	0.200	5.00	40.0	86
	AD0812HB-A70GL(T)		12	0.25	3.00	3100	1.098	38.99	0.150	3.75	34.4	
	AD0812MB-A70GL(T)		12	0.15	1.80	2500	0.870	30.87	0.101	2.53	28.3	
	AD0812LB-A70GL(T)		12	0.12	1.44	2100	0.737	26.16	0.071	1.78	22.5	
	AD0812DB-A70GL(T)		12	0.09	1.08	1600	0.539	19.15	0.044	1.10	15.0	
	AD0824HB-A70GL(T)		24	0.16	3.84	3100	1.098	38.99	0.150	3.75	34.4	
	AD0824MB-A70GL(T)		24	0.10	3.40	2500	0.870	30.87	0.101	2.53	28.3	
	AD0824LB-A70GL(T)		24	0.09	2.16	2100	0.737	26.16	0.071	1.78	22.5	

Specifications subject to change without notice.



\*Motor protective circuit and third lead wire functions

0	1	2	3	4	6	7	8	9	A	B
✓					✓					

\*Safety approvals

✓	✓	✓	✓	✓	✓

