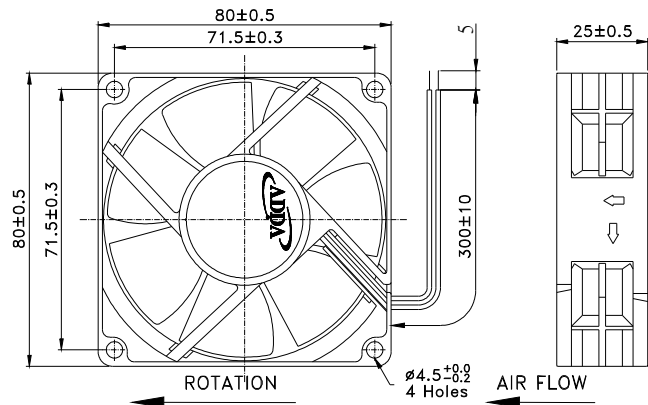


◀ 80X80X25mm Series ▶



Spot cooling, also suitable for small space requirements, laptops PC and notebook, etc.,.

External Dimensions



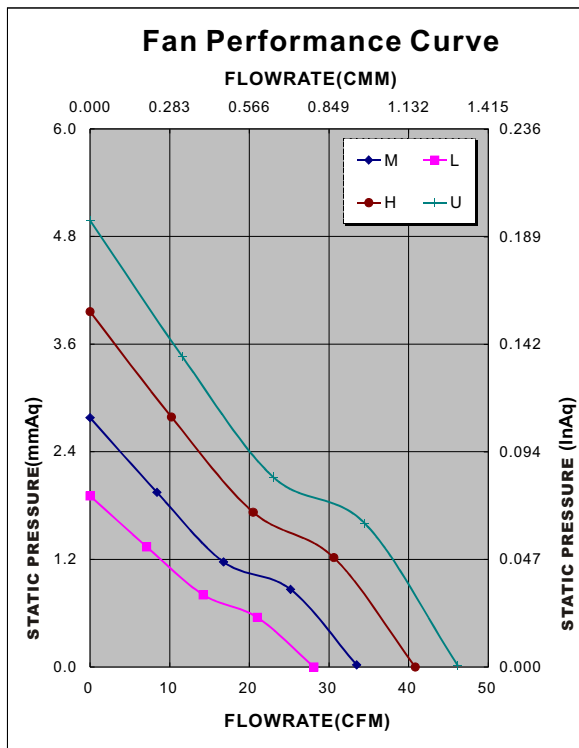
Frame: Plastic(UL:94v-0)
Impeller: Plastic(UL:94v-0)
Bearing: Hypro bearing
Lead wire: UL1007AWG24
OPERATING TEMP*:-10C~70C
VOLTAGE AVAILABLE: 12V
*:-10C~60C for fans with sleeve/ball combination bearings.

Specifications(Nominal)

*:Noise is measured at the distance of one(1) meter from the axis of intake.

Frame size (mm)	Model No.	Bearing System Type	Rated Voltage (v)	Rated Current (A)	Rated Power (W)	Rated Speed (rpm)	Bearing type: =Ball =Sleeve =1B1S =Hypro bearing			Noise Level (dB/A)	Weight (g)	
							Maximum AirFlow (CMM)	Maximum AirFlow (CFM)	Maximum Pressure (InAq)			
80X80X25	AD0812UB-A70GL		12	0.30	3.60	3400	1.314	46.00	0.210	5.33	34.7	86
	AD0812HB-A70GL		12	0.25	3.00	3000	1.166	40.80	0.160	4.06	32.5	
	AD0812MB-A70GL		12	0.15	1.80	2500	0.957	33.50	0.110	2.79	26.7	
	AD0812LB-A70GL		12	0.12	1.44	2100	0.803	28.10	0.075	1.91	22.0	

Specifications subject to change without notice.



*Motor protective circuit and third lead wire functions

0	1	2	3	4	6	7	8	9	A	B
✓					✓					

*Safety approvals

✓	✓	✓	✓	✓	✓