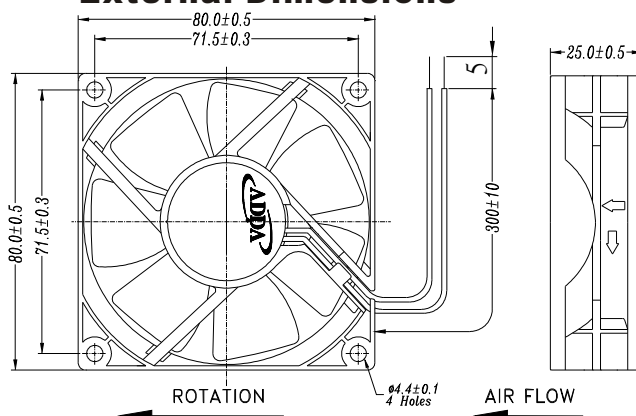


◀ **80X80X25mm Series** ▶  
**External Dimensions**



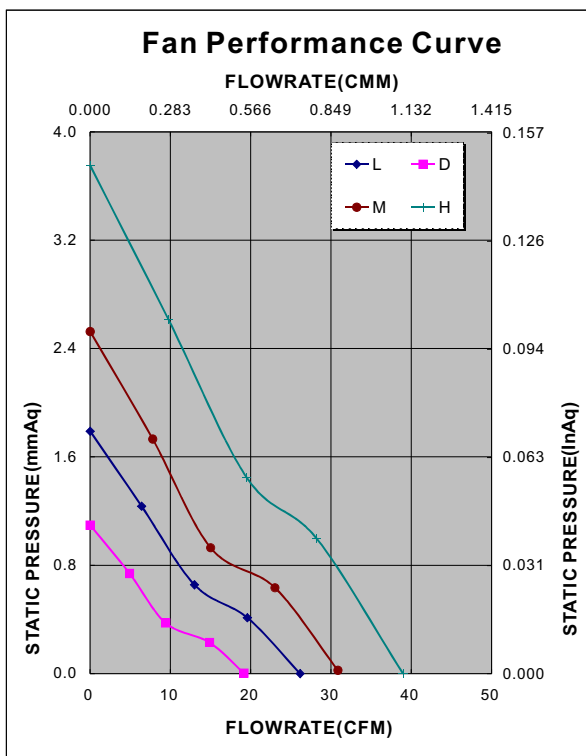
Frame: Plastic(UL:94v-0)  
 Impeller: Plastic(UL:94v-0)  
 Bearing: Ball bearing  
 Lead wire: UL1007AWG24  
 OPERATING TEMP\*: -10C~70C  
 VOLTAGE AVAILABLE: 12V,24V  
 \*:-10C~60C for fans with sleeve/ball combination bearings.  
 \*:Noise is measured at the distance of one(1)meter from the axis of intake.

Spot cooling, also suitable for small space requirements, laptops PC and notebook, etc.,

**Specifications(Nominal)**

Frame size (mm)	Model No.	Bearing System Type	Rated Voltage (v)	Rated Current (A)	Rated Power (W)	Rated Speed (rpm)	Bearing type: =Ball =Sleeve =1B1S =Hypro bearing				Weight (g)	
							Maximum AirFlow (CMM)	Maximum AirFlow (CFM)	Maximum Pressure (InAq)	Maximum Pressure (mmAq)		Noise Level (dB/A)
80X80X25	AQ0812HB-A70GL(T)		12	0.25	3.00	3100	1.104	39.00	0.150	3.75	34.4	82
	AQ0812MB-A70GL(T)		12	0.15	1.80	2500	0.874	30.87	0.101	2.53	28.3	
	AQ0812LB-A70GL(T)		12	0.12	1.44	2100	0.740	26.16	0.072	1.79	22.5	
	AQ0812DB-A70GL(T)		12	0.09	1.08	1600	0.542	19.15	0.044	1.10	15.0	
	AQ0824MB-A70GL(T)		24	0.10	2.40	2500	0.874	30.87	0.101	2.53	28.3	
	AQ0824LB-A70GL(T)		24	0.09	2.16	2100	0.740	26.16	0.072	1.79	22.5	

Specifications subject to change without notice.



\*Motor protective circuit and third lead wire functions

0	1	2	3	4	6	7	8	9	A	B
✓					✓					

\*Safety approvals

				✓	

