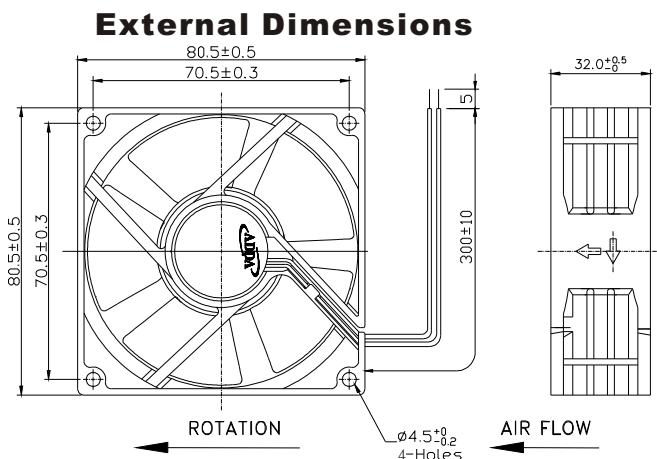


◀ **80X80X32mm Series** ▶



Frame: Plastic(UL:94v-0)
 Impeller: Plastic(UL:94v-0)
 Bearing: Ball bearing
 Lead wire: UL1007AWG24
 OPERATING TEMP*:-10C~70C
 VOLTAGE AVAILABLE: 12V,24V,48V
 *:-10C~60C for fans with sleeve/ball combination bearings.

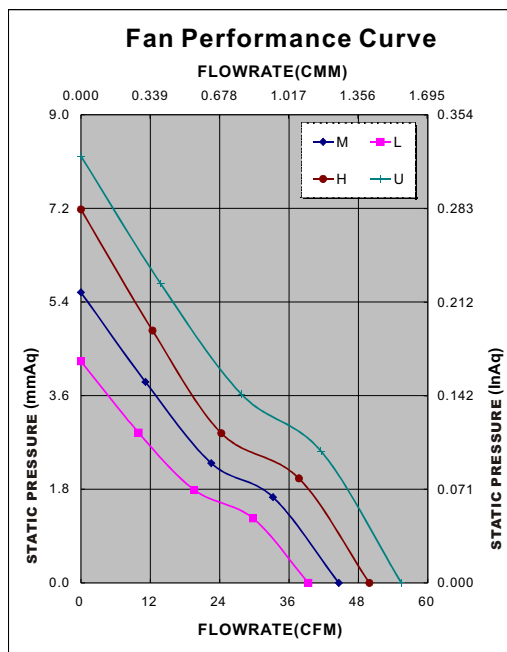
Spot cooling, also suitable for small space requirements, laptops PC and notebook, etc.,

Specifications(Nominal)

*: Noise is measured at the distance of one(1) meter from the axis of intake.

| Frame size (mm) | Model No. | Bearing System Type | Rated Voltage (v) | Rated Current (A) | Rated Power (W) | Rated Speed (rpm) | Bearing type: =Ball =Sleeve =1B1S =Hypro bearing | | | | Noise Level (dB/A) | Weight (g) |
|-----------------|--------------|---------------------|-------------------|-------------------|-----------------|-------------------|--|-----------------------|-------------------------|-------------------------|--------------------|------------|
| | | | | | | | Maximum AirFlow (CMM) | Maximum AirFlow (CFM) | Maximum Pressure (InAq) | Maximum Pressure (mmAq) | | |
| 80X80X32 | AD0812UB-Y51 | | 12 | 0.38 | 4.56 | 4200 | 1.580 | 55.30 | 0.340 | 8.64 | 43.8 | 108 |
| | AD0812HB-Y51 | | 12 | 0.29 | 3.48 | 3800 | 1.422 | 49.80 | 0.280 | 7.11 | 41.0 | |
| | AD0812MB-Y51 | | 12 | 0.2 | 5.08 | 3400 | 1.274 | 44.60 | 0.220 | 5.59 | 37.0 | |
| | AD0812LB-Y51 | | 12 | 0.16 | 4.06 | 3000 | 1.120 | 39.20 | 0.170 | 4.32 | 33.0 | |
| | AD0824XB-Y51 | | 24 | 0.26 | 6.24 | 4700 | 1.823 | 63.80 | 0.423 | 10.74 | 45.6 | |
| | AD0824UB-Y51 | | 24 | 0.18 | 4.32 | 4200 | 1.580 | 55.30 | 0.340 | 8.64 | 43.8 | |
| | AD0824HB-Y51 | | 24 | 0.15 | 3.60 | 3800 | 1.422 | 49.80 | 0.280 | 7.11 | 41.0 | |
| | AD0824MB-Y51 | | 24 | 0.13 | 3.12 | 3400 | 1.274 | 44.60 | 0.220 | 5.59 | 37.0 | |
| | AD0824LB-Y51 | | 24 | 0.10 | 2.40 | 3000 | 1.120 | 39.20 | 0.170 | 4.32 | 33.0 | |
| | AD0848UB-Y51 | | 48 | 0.14 | 6.72 | 4200 | 1.580 | 55.30 | 0.340 | 8.64 | 43.8 | |
| | AD0848HB-Y51 | | 48 | 0.11 | 5.28 | 3800 | 1.422 | 49.80 | 0.280 | 7.11 | 41.0 | |
| | AD0848MB-Y51 | | 48 | 0.09 | 4.32 | 3400 | 1.274 | 44.60 | 0.220 | 5.59 | 37.0 | |
| AD0848LB-Y51 | | 48 | 0.07 | 3.36 | 3000 | 1.120 | 39.20 | 0.170 | 4.32 | 33.0 | | |

Specifications subject to change without notice.



*Motor protective circuit and third lead wire functions

| | | | | | | | | | | |
|---|---|---|---|---|---|---|---|---|---|---|
| 0 | 1 | 2 | 3 | 4 | 6 | 7 | 8 | 9 | A | B |
| | ✓ | ✓ | ✓ | | | | | | | |

*Safety approvals

| | | | | | |
|--|--|--|--|---|--|
| | | | | | |
| | | | | ✓ | |

