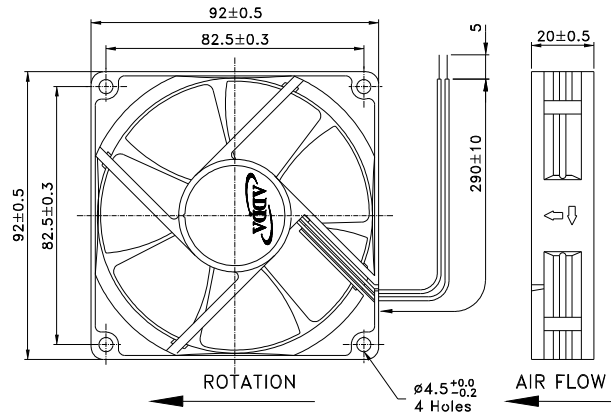


◀ **92X92X20mm Series** ▶



Spot cooling, also suitable for small space requirements, laptops PC and notebook, etc.,.

External Dimensions



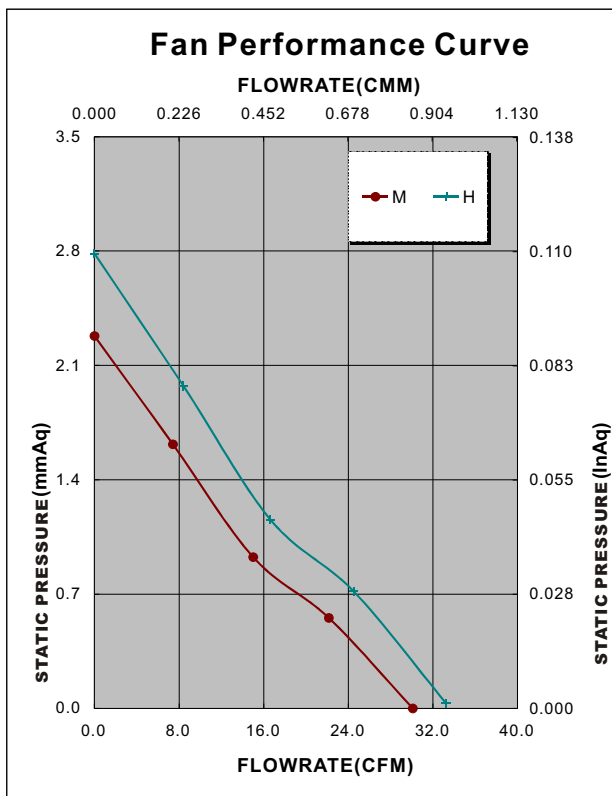
Frame: Plastic(UL:94v-0)
 Impeller: Plastic(UL:94v-0)
 Bearing: Hypro bearing
 Lead wire: UL1007AWG24
 OPERATING TEMP*:-10C~70C
 VOLTAGE AVAILABLE: 12V, 24V
 *:-10C~60C for fans with sleeve/ball combination bearings.

Specifications(Nominal)

*: Noise is measured at the distance of one(1) meter from the axis of intake.

Frame size (mm)	Model No.	Bearing System Type	Rated Voltage (v)	Rated Current (A)	Rated Power (W)	Rated Speed (rpm)	Maximum AirFlow		Maximum Pressure		Noise Level (dB/A)	Weight (g)
							(CMM)	(CFM)	(InAq)	(mmAq)		
92X92X20	AD0912HB-C70		12	0.25	3.00	2700	0.937	32.80	0.106	2.69	32.8	85
	AD0912MB-C70		12	0.16	1.92	2430	0.800	28.00	0.095	2.41	32.6	
	AD0912HB-C71		12	0.25	3.00	2740	0.937	32.80	0.106	2.69	32.8	
	AD0912MB-C71		12	0.16	1.92	2430	0.828	29.00	0.083	2.11	28.9	
	AD0924HB-C70		24	0.14	3.36	2740	0.937	32.80	0.106	2.69	32.8	
	AD0924MB-C70		24	0.10	2.40	2430	0.828	29.00	0.083	2.11	28.9	
	AD0924HB-C71		24	0.14	3.36	2740	0.937	32.80	0.106	2.69	32.8	
	AD0924MB-C71		24	0.10	2.40	2430	0.828	29.00	0.083	2.11	28.9	

Specifications subject to change without notice.



*Motor protective circuit and third lead wire functions

0	1	2	3	4	6	7	8	9	A	B
✓	✓	✓	✓		✓					

*Safety approvals

✓	✓	✓	✓	✓	

