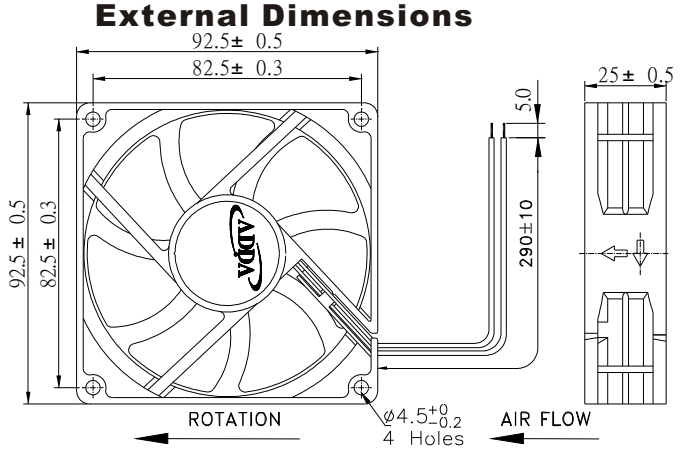


◀ **92X92X25mm Series** ▶



Spot cooling, also suitable for small space requirements, laptops PC and notebook, etc.,



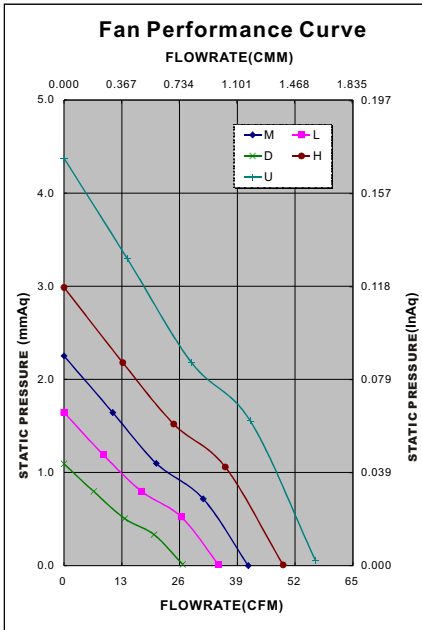
Frame: Plastic (UL:94v-0)
 Impeller: Plastic (UL:94v-0)
 Bearing: Hypro bearing
 Lead wire: UL1007AWG24
 OPERATING TEMP*: -10C~70C
 VOLTAGE AVAILABLE: 24V
 *: -10C~60C for fans with sleeve/ball combination bearings.

Specifications (Nominal)

*: Noise is measured at the distance of one (1) meter from the axis of intake.

Frame size (mm)	Model No.	Bearing System Type	Rated Voltage (v)	Rated Current (A)	Rated Power (W)	Rated Speed (rpm)	Bearing type: =Ball =Sleeve =1B1S =Hypro bearing				Noise Level (dB/A)	Weight (g)
							Maximum AirFlow (CMM)	Maximum AirFlow (CFM)	Maximum Pressure (InAq)	Maximum Pressure (mmAq)		
92X92X25	AD0912UB-A70GL(T)		12	0.30	3.60	3300	1.595	56.62	0.175	4.38	39.4	101
	AD0912HB-A70GL(T)		12	0.25	3.00	2900	1.389	49.30	0.120	2.99	35.0	
	AD0912MB-A70GL(T)		12	0.17	2.04	2400	1.169	41.49	0.090	2.25	31.3	
	AD0912LB-A70GL(T)		12	0.13	1.56	2050	0.979	34.75	0.066	1.65	25.0	
	AD0912DB-A70GL(T)		12	0.09	1.08	1600	0.753	26.72	0.044	1.09	18.0	
	AD0924HB-A70GL(T)		24	0.15	3.60	2900	1.389	49.30	0.120	2.99	35.0	
	AD0924MB-A70GL(T)		24	0.12	2.88	2400	1.169	41.49	0.090	2.25	31.0	
	AD0924LB-A70GL(T)		24	0.08	1.92	2050	0.979	34.75	0.066	1.65	26.5	

Specifications subject to change without notice.



*Motor protective circuit and third lead wire functions

0	1	2	3	4	6	7	8	9	A	B
✓					✓					

*Safety approvals

✓	✓		✓	✓	

