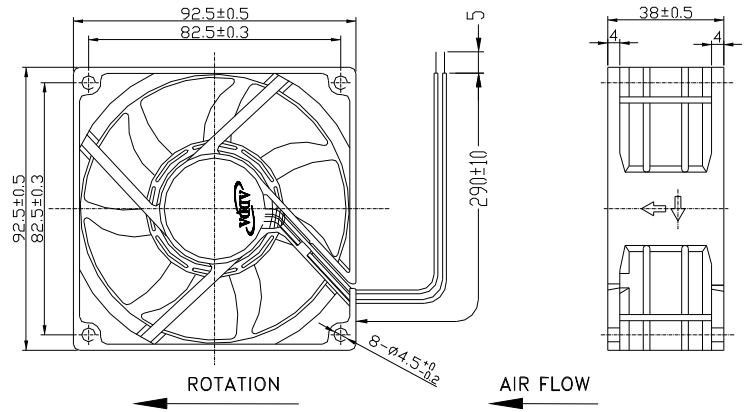


◀ **92X92X32mm Series** ▶



**External Dimensions**



Frame: Plastic(UL:94v-0)  
 Impeller: Plastic(UL:94v-0)  
 Bearing: Ball bearing  
 Lead wire: UL1007AWG24  
 OPERATING TEMP\*: -10C~70C  
 VOLTAGE AVAILABLE: 12V,48V  
 \*:-10C~60C for fans with sleeve/ball combination bearings.

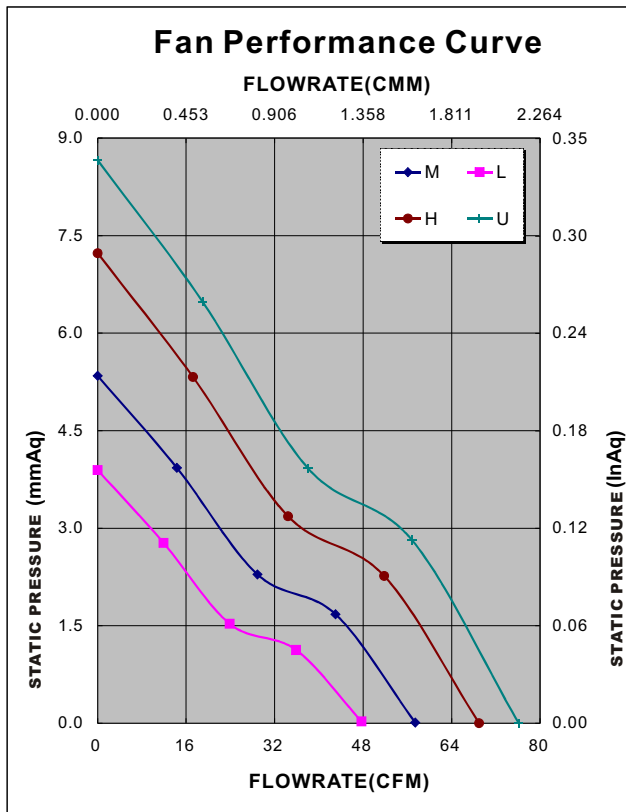
Spot cooling, also suitable for small space requirements, laptops PC and notebook, etc.,

**Specifications(Nominal)**

\*: Noise is measured at the distance of one(1) meter from the axis of intake.

Frame size (mm)	Model No.	Bearing System Type	Rated Voltage (v)	Rated Current (A)	Rated Power (W)	Rated Speed (rpm)	Bearing type: =Ball =Sleeve =1B1S =Hypro bearing				Weight (g)	
							Maximum AirFlow (CMM)	Maximum AirFlow (CFM)	Maximum Pressure (InAq)	Maximum Pressure (mmAq)		Noise Level (dB/A)
92X92X32	AD0912UB-Y71		12	0.50	6.00	3900	2.174	76.10	0.340	8.64	47.2	141
	AD0912HB-Y71		12	0.37	4.44	3500	2.000	70.00	0.280	7.11	44.0	
	AD0912MB-Y71		12	0.29	3.48	3000	1.640	57.40	0.210	5.33	40.8	
	AD0912LB-Y71		12	0.19	2.28	2500	1.363	47.70	0.150	3.81	34.6	
	AD0948UB-Y71		48	0.18	8.64	3900	2.174	76.10	0.340	8.64	47.2	
	AD0948HB-Y71		48	0.14	6.72	3500	2.000	70.00	0.280	7.11	44.0	
	AD0948MB-Y71		48	0.10	4.80	3000	1.640	57.40	0.210	5.33	40.8	
	AD0948LB-Y71		48	0.08	3.84	2500	1.363	47.70	0.150	3.81	34.6	

Specifications subject to change without notice.



\*Motor protective circuit and third lead wire functions

0	1	2	3	4	6	7	8	9	A	B
	✓	✓	✓							

\*Safety approvals

				✓	

