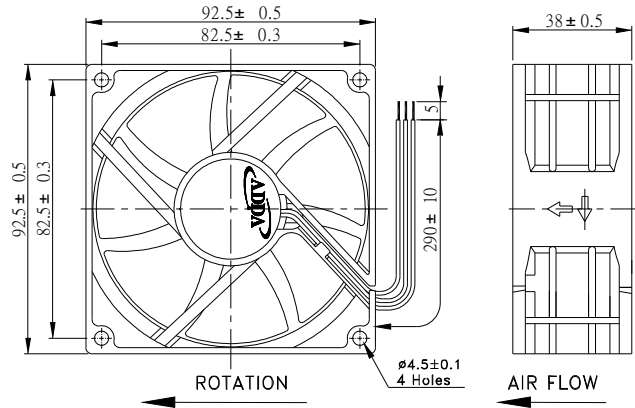


◀ **92X92X38mm Series** ▶



Spot cooling, also suitable for small space requirements, laptops PC and notebook, etc.,

**External Dimensions**



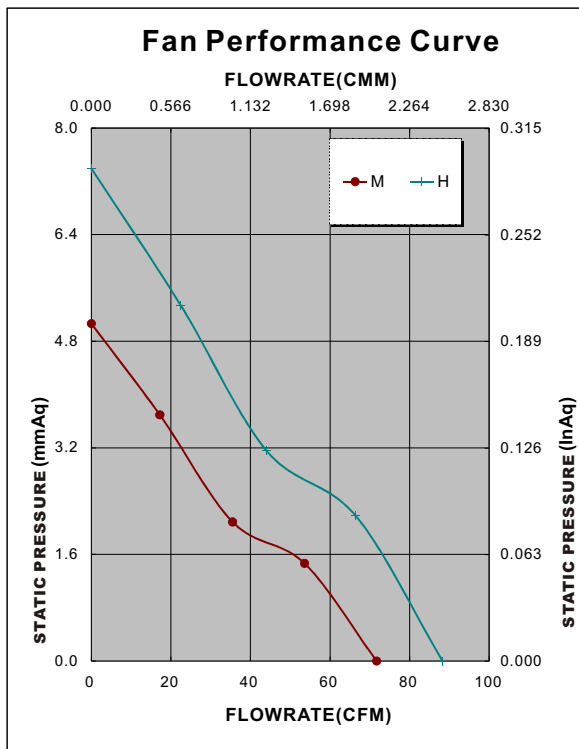
Frame: Plastic (UL:94v-0)  
 Impeller: Plastic (UL:94v-0)  
 Bearing: Ball bearing  
 Lead wire: UL1007AWG24  
 OPERATING TEMP\*: -10C~70C  
 VOLTAGE AVAILABLE: 12V  
 \*: -10C~60C for fans with sleeve/ball combination bearings.

**Specifications (Nominal)**

\*: Noise is measured at the distance of one (1) meter from the axis of intake.

Frame size (mm)	Model No.	Bearing System Type	Rated Voltage (v)	Rated Current (A)	Rated Power (W)	Rated Speed (rpm)	Bearing type: =Ball =Sleeve =1B1S =Hypro bearing				Noise Level (dB/A)	Weight (g)
							Maximum AirFlow (CMM)	Maximum AirFlow (CFM)	Maximum Pressure (InAq)	Maximum Pressure (mmAq)		
92X92X38	AD0912HB-F73		12	0.7	8.40	4000	2.525	88.40	0.279	7.09	45.8	123
	AD0912MB-F73		12	0.42	5.04	3300	2.048	71.70	0.199	5.06	41.8	

Specifications subject to change without notice.



\*Motor protective circuit and third lead wire functions

0	1	2	3	4	6	7	8	9	A	B
	✓	✓	✓							

\*Safety approvals

				✓	

