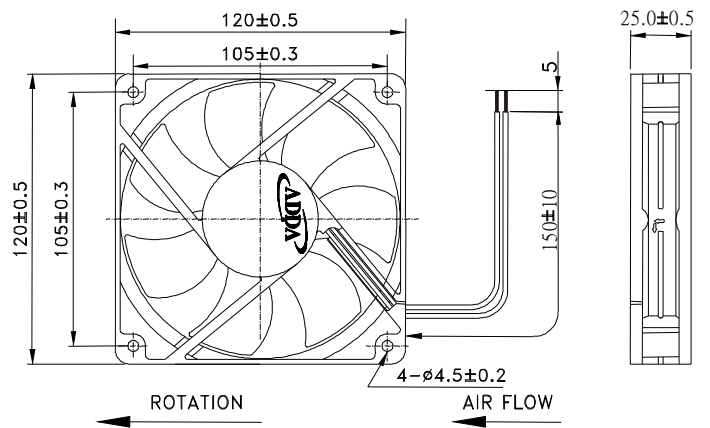


120X120X25mm Series



External Dimensions



Frame: Plastic (UL:94v-0)
 Impeller: Plastic (UL:94v-0)
 Bearing: Hydro bearing
 Lead wire: UL1007AWG24
 OPERATING TEMP*: -10C~70C
 VOLTAGE AVAILABLE: 12V, 24V
 *:-10C~60C for fans with sleeve/ball combination bearings.

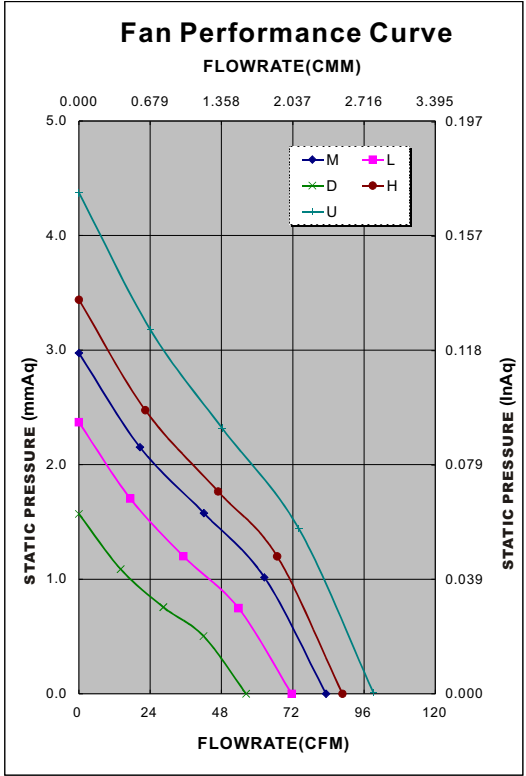
Spot cooling, also suitable for small space requirements, laptops PC and notebook, etc.,

Specifications (Nominal)

*: Noise is measured at the distance of one (1) meter from the axis of intake.

Frame size (mm)	Model No.	Bearing System Type	Rated Voltage (v)	Rated Current (A)	Rated Power (W)	Rated Speed (rpm)	Maximum AirFlow		Maximum Pressure		Noise Level (dB/A)	Weight (g)
							(CMM)	(CFM)	(InAq)	(mmAq)		
120X120X25	AD1212DB-A71GL		12	0.13	1.56	1500	1.586	56.30	0.063	1.57	24.7	156
	AD1212LB-A71GL		12	0.24	2.88	1800	2.028	72.00	0.095	2.37	34.4	
	AD1212MB-A71GL		12	0.33	3.96	2050	2.344	83.21	0.119	2.97	38.0	
	AD1212HB-A71GL		12	0.37	4.44	2200	2.499	88.71	0.138	3.45	39.1	
	AD1212UB-A71GL		12	0.50	6.00	2500	2.792	99.12	0.175	4.38	43.3	
	AD1224LB-A71GL		24	0.14	3.36	1800	2.028	72.00	0.095	2.37	34.4	
	AD1224MB-A71GL		24	0.17	4.08	2050	2.344	83.21	0.119	2.97	38.0	
	AD1224HB-A71GL		24	0.19	4.56	2200	2.499	88.71	0.138	3.45	39.1	
	AD1224UB-A71GL		24	0.25	6.00	2500	2.792	99.12	0.175	4.38	43.3	

Specifications subject to change without notice.



*Motor protective circuit and third lead wire functions

0	1	2	3	4	6	7	8	9	A	B
	✓	✓	✓	✓			✓		✓	

*Safety approvals

✓	✓		✓	✓	

