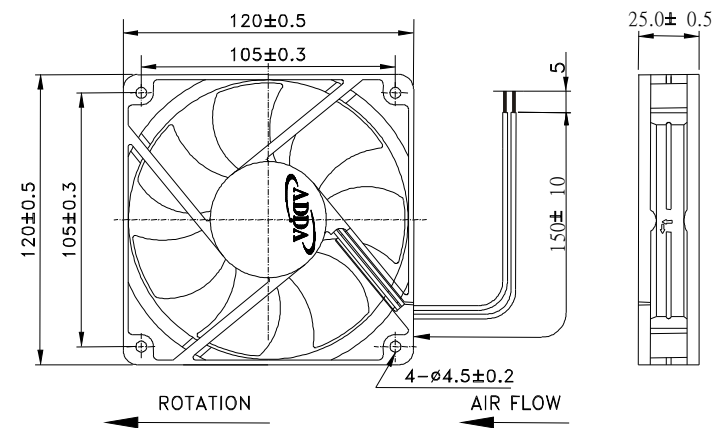


◀120X120X25mmSeries▶



Spot cooling, also suitable for small space requirements, laptops PC and notebook, etc.,

External Dimensions



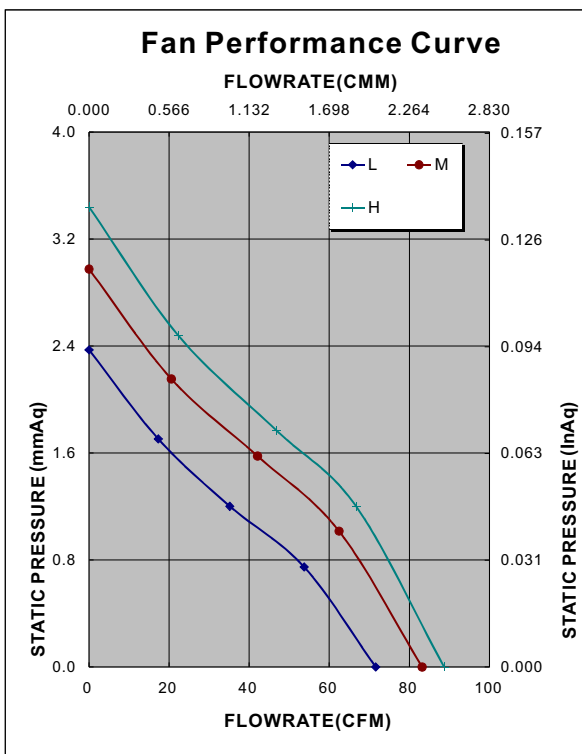
Frame: Plastic(UL:94v-0)
 Impeller: Plastic(UL:94v-0)
 Bearing: Ball bearing
 Lead wire: UL1007AWG24
 OPERATING TEMP*:-10C~70C
 VOLTAGE AVAILABLE: 12V, 24V
 *:-10C~60C for fans with sleeve/ball combination bearings.

Specifications(Nominal)

*:Noise is measured at the distance of one(1)meter from the axis of intake.

Frame size (mm)	Model No.	Bearing System Type	Rated Voltage (v)	Rated Current (A)	Rated Power (W)	Rated Speed (rpm)	Maximum AirFlow		Maximum Pressure		Noise Level (dB/A)	Weight (g)
							(CMM)	(CFM)	(InAq)	(mmAq)		
120X120X25	AQ1212HB-A71GL		12	0.37	4.44	2200	2.499	88.71	0.138	3.45	39.1	156
	AQ1212MB-A71GL		12	0.33	3.96	2050	2.344	83.21	0.119	2.97	38.0	
	AQ1212LB-A71GL		12	0.24	2.88	1800	2.028	72.00	0.096	2.41	34.4	
	AQ1224HB-A71GL		24	0.19	4.56	2200	2.499	88.71	0.138	3.45	39.1	
	AQ1224MB-A71GL		24	0.17	4.08	2050	2.344	83.21	0.119	2.97	38.0	
	AQ1224LB-A71GL		24	0.14	3.36	1800	2.028	72.00	0.096	2.41	34.4	

Specifications subject to change without notice.



*Motor protective circuit and third lead wire functions

0	1	2	3	4	6	7	8	9	A	B
	✓	✓	✓							

*Safety approvals

				✓	

