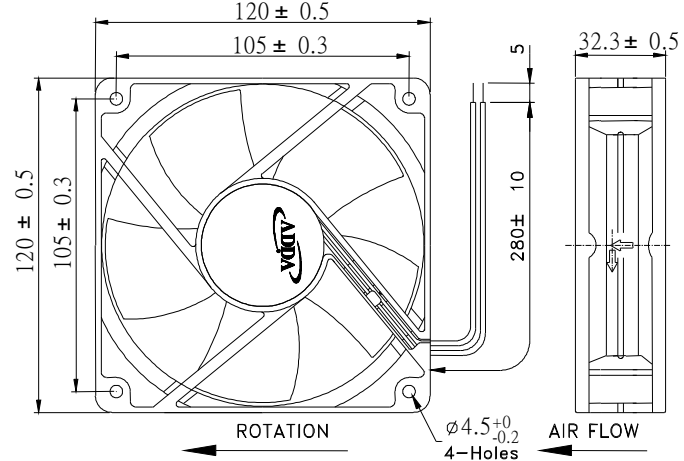
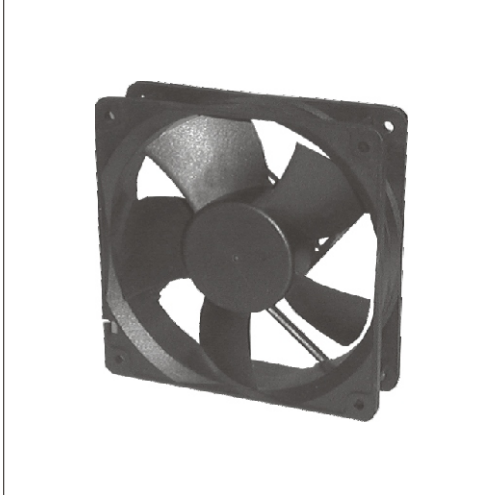


**◀120X120X32mmSeries▶
External Dimensions**



Frame: Plastic (UL:94v-0)
 Impeller: Plastic (UL:94v-0)
 Bearing: Hypro bearing
 Lead wire: UL1007AWG24
 OPERATING TEMP*: -10C~70C
 VOLTAGE AVAILABLE: 12V, 24V, 48V
 *:-10C~60C for fans with sleeve/ball combination bearings.
 *: Noise is measured at the distance of one (1) meter from the axis of intake.

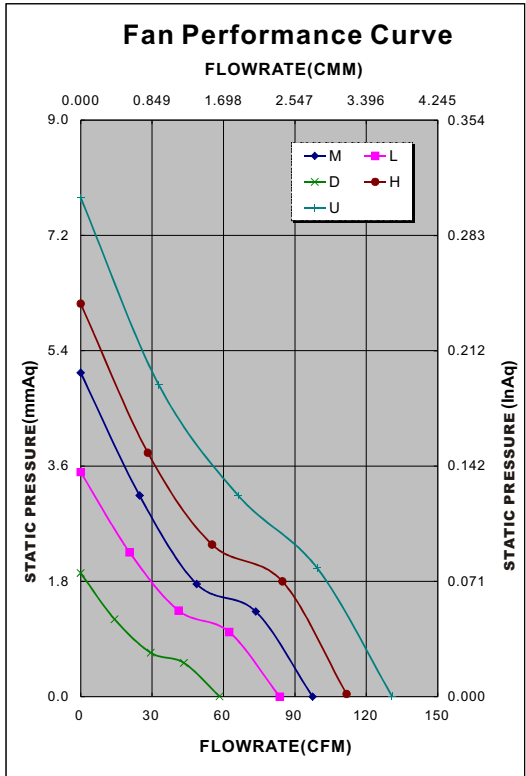
Spot cooling, also suitable for small space requirements, laptops PC and notebook, etc.,

Specifications (Nominal)

Frame size (mm)	Model No.	Bearing System Type	Rated Voltage (v)	Rated Current (A)	Rated Power (W)	Rated Speed (rpm)	Maximum AirFlow		Maximum Pressure		Noise Level (dB/A)	Weight (g)
							(CMM)	(CFM)	(InAq)	(mmAq)		
120X120X32	AD1212DB-Y51		12	0.12	1.44	1450	1.642	58.30	0.077	1.93	26.9	213
	AD1212LB-Y51		12	0.21	2.52	2000	2.355	83.60	0.140	3.51	36.2	
	AD1212MB-Y51		12	0.28	3.36	2400	2.746	97.50	0.202	5.05	41.1	
	AD1212HB-Y51		12	0.40	4.80	2750	3.042	108.00	0.218	5.46	43.3	
	AD1212UB-Y51		12	0.58	6.96	3200	3.685	130.80	0.312	7.80	48.4	
	AD1224LB-Y51		24	0.18	4.32	2000	2.355	83.60	0.140	3.51	36.2	
	AD1224MB-Y51		24	0.22	5.28	2400	2.746	97.50	0.202	5.05	41.1	
	AD1224HB-Y51		24	0.25	6.00	2750	3.042	108.00	0.218	5.46	43.3	
	AD1248HB-Y51		48	0.15	7.20	2750	3.042	108.00	0.218	5.46	43.3	
	AD1248UB-Y51		48	0.21	10.08	3200	3.685	130.80	0.312	7.80	48.4	

Bearing type: =Ball =Sleeve =1B1S =Hypro bearing

Specifications subject to change without notice.



*Motor protective circuit and third lead wire functions

0	1	2	3	4	6	7	8	9	A	B
	✓	✓	✓	✓			✓		✓	

*Safety approvals

✓	✓		✓	✓	

