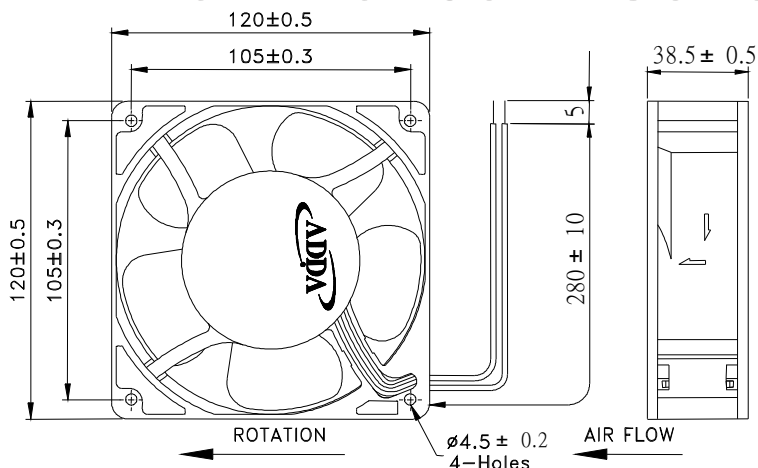


◀ **120X120X38mmSeries** ▶



Spot cooling, also suitable for small space requirements, laptops PC and notebook, etc.,

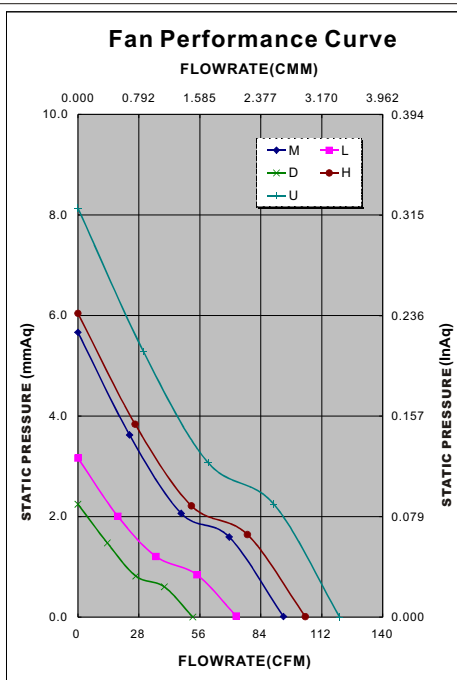
Frame: Plastic (UL:94v-0)  
 Impeller: Plastic (UL:94v-0)  
 Bearing: Hypro bearing  
 Lead wire: UL1007AWG24  
 OPERATING TEMP\*: -10C~70C  
 VOLTAGE AVAILABLE: 12V, 24V, 48V  
 \*:-10C~60C for fans with sleeve/ball combination bearings.  
\*: Noise is measured at the distance of one (1) meter from the axis of intake.

**Specifications (Nominal)**

Bearing type: =Ball =Sleeve =1B1S =Hypro bearing

Frame size (mm)	Model No.	Bearing System Type	Rated Voltage (v)	Rated Current (A)	Rated Power (W)	Rated Speed (rpm)	Maximum AirFlow (CMM)	Maximum AirFlow (CFM)	Maximum Pressure (InAq)	Maximum Pressure (mmAq)	Noise Level (dB/A)	Weight (g)
120X120X38	AD1212DB-F51		12	0.16	1.92	1500	1.487	52.80	0.089	2.24	27.4	297
	AD1212LB-F51		12	0.24	2.88	1950	2.037	72.30	0.127	3.17	32.9	
	AD1212MB-F51		12	0.35	4.20	2540	2.648	94.00	0.227	5.67	41.0	
	AD1212HB-F51		12	0.50	6.00	2800	2.952	104.80	0.242	6.05	42.8	
	AD1212UB-F51		12	0.70	8.40	3200	3.387	120.24	0.326	8.14	48.0	
	AD1224LB-F51		24	0.14	3.36	1950	2.037	72.30	0.127	3.17	32.9	
	AD1224MB-F51		24	0.23	5.52	2540	2.648	94.00	0.227	5.67	41.0	
	AD1224HB-F51		24	0.32	7.68	2800	2.952	104.80	0.242	6.05	42.8	
	AD1224UB-F51		24	0.40	9.60	3200	3.387	120.24	0.326	8.14	48.0	
	AD1248DB-F51		48	0.08	3.84	1500	1.487	52.80	0.089	2.24	27.4	
	AD1248LB-F51		48	0.10	4.80	1950	2.037	72.30	0.127	3.17	32.9	
	AD1248MB-F51		48	0.14	6.72	2540	2.648	94.00	0.227	5.67	41.0	
AD1248HB-F51		48	0.20	9.60	2800	2.952	104.80	0.242	6.05	42.8		
AD1248UB-F51		48	0.23	11.04	3200	3.387	120.24	0.326	8.14	48.0		

Specifications subject to change without notice.



\*Motor protective circuit and third lead wire functions

0	1	2	3	4	6	7	8	9	A	B
	✓	✓	✓	✓		✓			✓	

\*Safety approvals

✓	✓	✓	✓	✓	✓	✓

