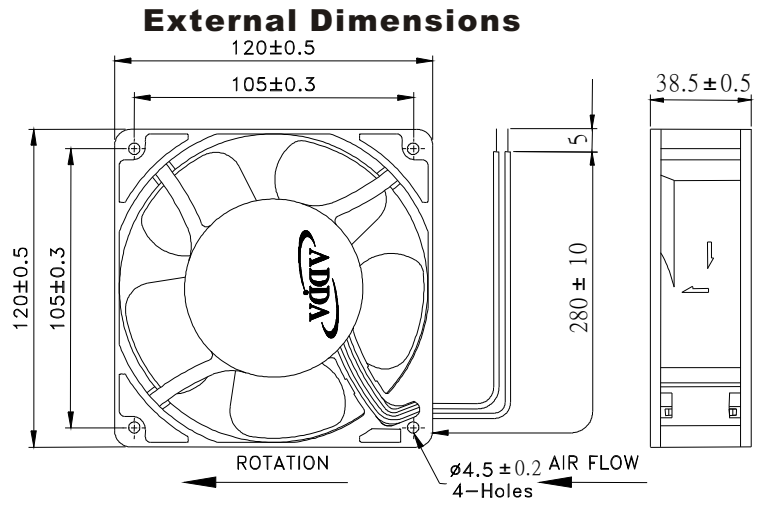


◀ **120X120X38mmSeries** ▶



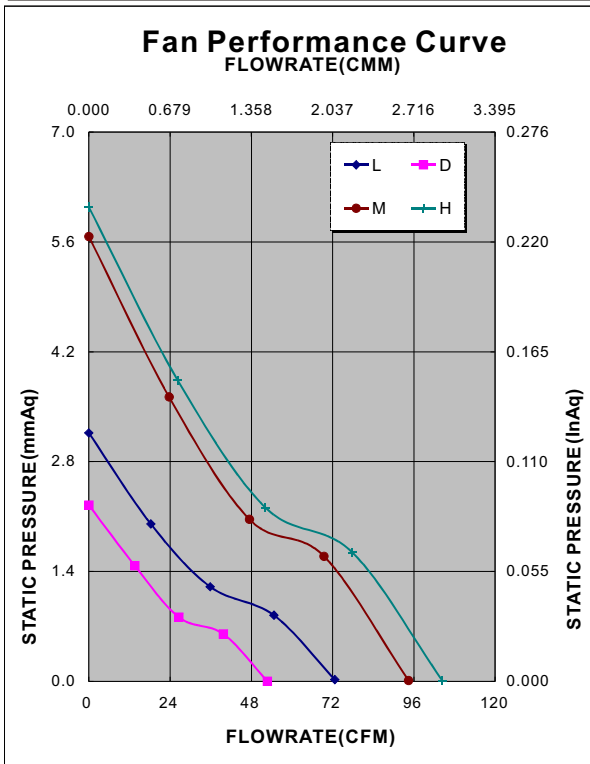
Spot cooling, also suitable for small space requirements, laptops PC and notebook, etc.,

Frame: Plastic (UL:94v-0)  
 Impeller: Plastic (UL:94v-0)  
 Bearing: Ball bearing  
 Lead wire: UL1007AWG24  
 OPERATING TEMP\*: -10C~70C  
 VOLTAGE AVAILABLE: 12V, 24V, 48V  
 \*:-10C~60C for fans with sleeve/ball combination bearings.  
\*: Noise is measured at the distance of one (1) meter from the axis of intake.

**Specifications (Nominal)**

Frame size (mm)	Model No.	Bearing System Type	Rated Voltage (v)	Rated Current (A)	Rated Power (W)	Rated Speed (rpm)	Bearing type: =Ball =Sleeve =1B1S =Hypro bearing				Weight (g)	
							Maximum AirFlow (CMM)	Maximum AirFlow (CFM)	Maximum Pressure (InAq)	Maximum Pressure (mmAq)		Noise Level (dB/A)
120X120X38	AQ1212DB-F51		12	0.16	1.92	1500	1.486	52.75	0.089	2.24	27.4	297
	AQ1212LB-F51		12	0.24	2.88	1950	2.047	72.66	0.127	3.17	32.9	
	AQ1212MB-F51		12	0.35	4.20	2540	2.660	94.43	0.228	5.69	41.0	
	AQ1212HB-F51		12	0.50	6.00	2800	2.941	104.40	0.242	6.05	42.8	
	AQ1224LB-F51		24	0.14	3.36	1950	2.047	72.66	0.127	3.17	32.9	
	AQ1224MB-F51		24	0.23	5.52	2540	2.660	94.43	0.228	5.69	41.0	
	AQ1224HB-F51		24	0.32	7.68	2800	2.941	104.40	0.242	6.05	42.8	
	AQ1248DB-F51		48	0.08	3.84	1500	1.486	52.75	0.089	2.24	27.4	
	AQ1248LB-F51		48	0.10	4.80	1950	2.047	72.66	0.127	3.17	32.9	
	AQ1248MB-F51		48	0.14	6.72	2540	2.660	94.43	0.228	5.69	41.0	
AQ1248HB-F51		48	0.20	9.60	2800	2.941	104.40	0.242	6.05	42.8		

Specifications subject to change without notice.



\*Motor protective circuit and third lead wire functions

0	1	2	3	4	6	7	8	9	A	B
	✓	✓	✓							

\*Safety approvals

				✓	

