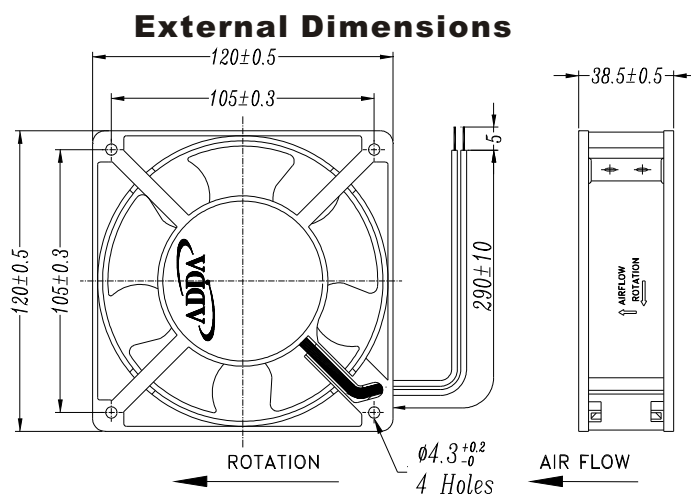


◀120X120X38mmSeries▶



Frame: Plastic(UL:94v-0)
 Impeller: Plastic(UL:94v-0)
 Bearing: Hypro bearing
 Lead wire: UL1430AWG22
 OPERATING TEMP*:-10C~70C
 *:-10C~60C for fans with sleeve/ball combination bearings.

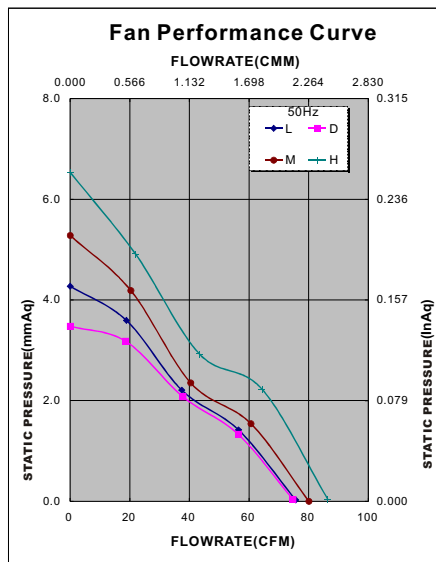
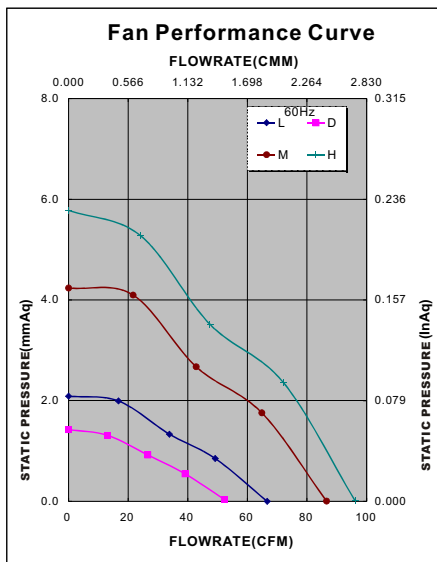
Spot cooling, also suitable for small space requirements, laptops PC and notebook, etc.,

Specifications(Nominal)

*:Noise is measured at the distance of one(1) meter from the axis of intake.

Frame size (mm)	Model No.	Bearing System Type	Rated Volt./Freq (v)	Rated Current (A)	Rated Power (W)	Rated Speed (rpm)	AirFlow		Maximum Pressure		Noise Level (dB/A)	Weight (g)
							(CMM)	(CFM)	(InAq)	(mmAq)		
120x120x38.5	AA1281DB-AT	=Ball	115/50	0.12	8.24	2300	2.117	74.7	0.139	3.478	39.2	550
			115/60	0.11	7.89	1650	1.481	52.3	0.057	1.426	30.5	
	AA1281HB-AT	=Sleeve	115/50	0.25	16.30	2600	2.446	86.3	0.261	6.534	42.2	
			115/60	0.20	14.20	2900	2.721	96.1	0.231	5.779	44.5	
	AA1281LB-AT	=1B1S	115/50	0.14	9.21	2400	2.142	75.6	0.170	4.273	40.1	
			115/60	0.13	8.86	2100	1.887	66.6	0.083	2.088	37.9	
	AA1281MB-AT	=Hypro bearing	115/50	0.25	15.80	2500	2.268	80.0	0.211	5.280	40.0	
			115/60	0.21	13.70	2700	2.450	86.5	0.169	4.238	41.0	
	AA1282DB-AT	=Ball	230/50	0.06	8.00	2300	2.117	74.7	0.139	3.478	39.2	
			230/60	0.06	7.60	1650	1.481	52.3	0.057	1.426	30.5	
	AA1282HB-AT	=Sleeve	230/50	0.12	16.00	2600	2.446	86.3	0.261	6.534	42.2	
			230/60	0.10	14.00	2900	2.721	96.1	0.231	5.779	44.5	
	AA1282LB-AT	=1B1S	230/50	0.07	9.90	2400	2.142	75.6	0.170	4.273	40.1	
			230/60	0.07	9.40	2100	1.887	66.6	0.083	2.088	37.9	
	AA1282MB-AT	=Hypro bearing	230/50	0.10	13.70	2500	2.268	80.0	0.211	5.280	40.0	
			230/60	0.09	12.60	2700	2.450	86.5	0.169	4.238	41.0	

Specifications subject to change without notice.



*Motor protective circuit and third lead wire functions

0	1	2	3	4	6	7	8	9	A	B

*Safety approvals

✓	✓		✓	✓	

