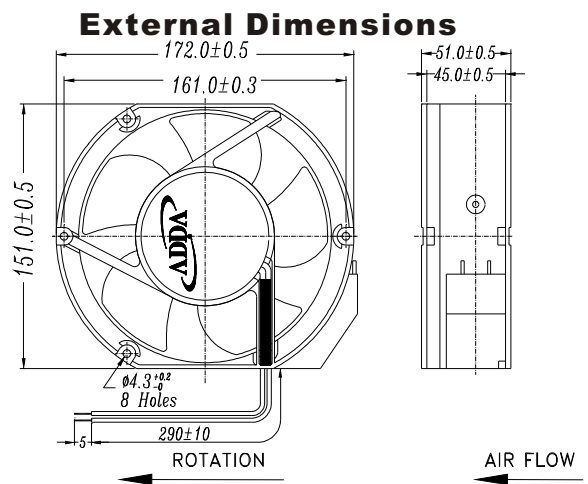


◀172X150X50mmSeries▶



Spot cooling, also suitable for small space requirements, laptops PC and notebook, etc.,.



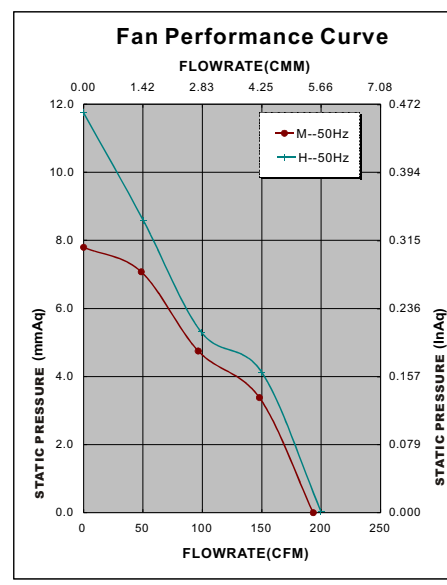
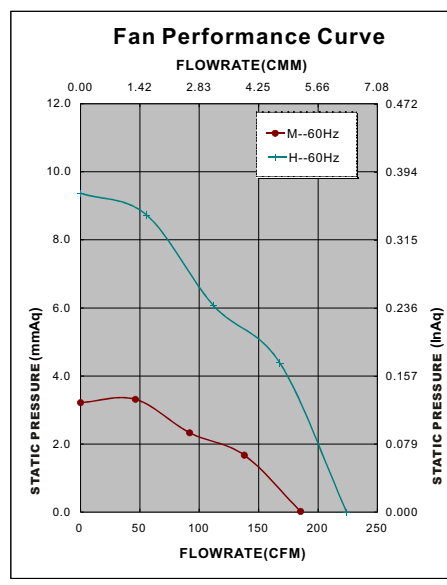
Frame: Plastic(UL:94v-0)
Impeller: Plastic(UL:94v-0)
Bearing: Ball bearing
Lead wire: UL1015AWG18
OPERATING TEMP*: -10C~70C
*:-10C~60C for fans with sleeve/ball combination bearings.

Specifications(Nominal)

*:Noise is measured at the distance of one(1) meter from the axis of intake.

Frame size (mm)	Model No.	Bearing System Type	Rated Volt./Freq (v)	Rated Current (A)	Rated Power (W)	Rated Speed (rpm)	Maximum AirFlow		Maximum Pressure		Noise Level (dB/A)	Weight (g)
							(CMM)	(CFM)	(InAq)	(mmAq)		
172x150x50.0	AA1751HB-AT	=Ball	115/50	0.48	59.60	2700	5.662	199.9	0.470	11.750	52.3	930
			115/60	0.43	39.30	3000	6.347	224.2	0.374	9.350	54.7	
	AA1751MB-AT	=Sleeve	115/50	0.35	29.80	2600	5.476	193.3	0.311	7.796	50.5	
			115/60	0.34	29.30	2500	5.247	185.2	0.128	3.217	48.8	
	AA1752HB-AT	=1B1S	230/50	0.27	47.90	2700	5.662	199.9	0.470	11.750	51.3	
			230/60	0.23	38.40	3000	6.347	224.2	0.374	9.350	53.9	
	AA1752MB-AT	=Hypro bearing	230/50	0.19	32.60	2600	5.476	193.3	0.311	7.796	50.4	
			230/60	0.19	29.90	2500	5.247	185.2	0.128	3.217	48.9	

Specifications subject to change without notice.



*Motor protective circuit and third lead wire functions

0	1	2	3	4	6	7	8	9	A	B

*Safety approvals

✓	✓		✓	✓	

