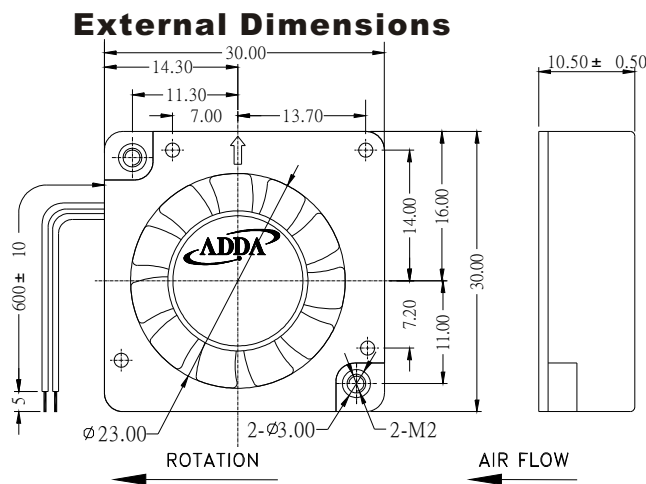


◀ 30X30X10mm Series ▶



Spot cooling, also suitable for small space requirements, laptops PC and notebook, etc.,



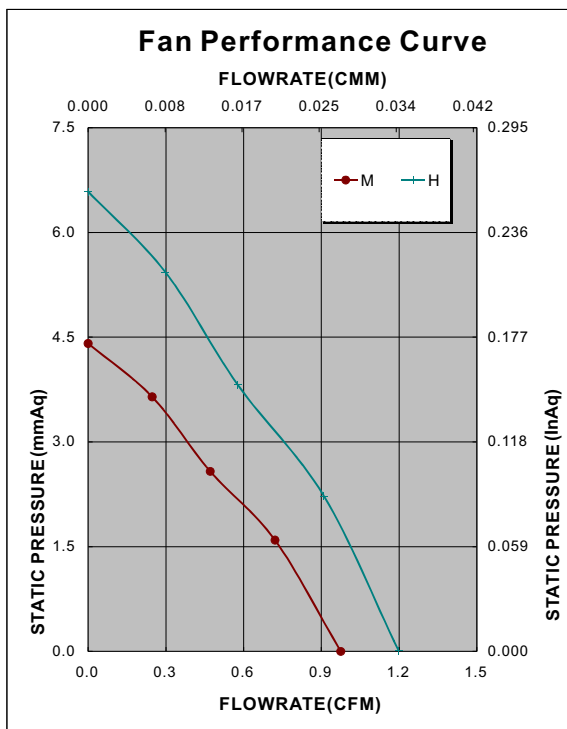
Frame: Plastic (UL:94v-0)  
 Impeller: Plastic (UL:94v-0)  
 Bearing: Hypro bearing  
 Lead wire: UL1571AWG28  
 OPERATING TEMP\*: -10C~70C  
 VOLTAGE AVAILABLE: 5V, 12V  
 \*: -10C~60C for fans with sleeve/ball combination bearings.

**Specifications (Nominal)**

\*: Noise is measured at the distance of one (1) meter from the axis of intake.

Frame size (mm)	Model No.	Bearing System Type	Rated Voltage (v)	Rated Current (A)	Rated Power (W)	Rated Speed (rpm)	AirFlow		Maximum Pressure		Noise Level (dB/A)	Weight (g)
							(CMM)	(CFM)	(InAq)	(mmAq)		
30x30x10	AB0305MX-GA0		5	0.15	0.750	7500	0.028	0.98	0.176	4.41	28.0	12
	AB0305HX-GA0		5	0.20	1.000	9000	0.034	1.20	0.263	6.59	33.0	
	AB0312MB-GA0		12	0.09	0.960	7500	0.028	0.98	0.176	4.41	28.0	
	AB0312HB-GA0		12	0.10	1.200	9000	0.034	1.20	0.263	6.59	33.0	
	AB0305MX-GA6		5	0.15	0.750	7500	0.028	0.98	0.176	4.41	28.0	
	AB0305HX-GA6		5	0.20	1.000	9000	0.034	1.20	0.263	6.59	33.0	
	AB0312MB-GA6		12	0.09	0.960	7500	0.028	0.98	0.176	4.41	28.0	
	AB0312HB-GA6		12	0.10	1.200	9000	0.034	1.20	0.263	6.59	33.0	

Specifications subject to change without notice.



\*Motor protective circuit and third lead wire functions

0	1	2	3	4	6	7	8	9	A	B
✓	✓		✓		✓					

\*Safety approvals

				✓	

