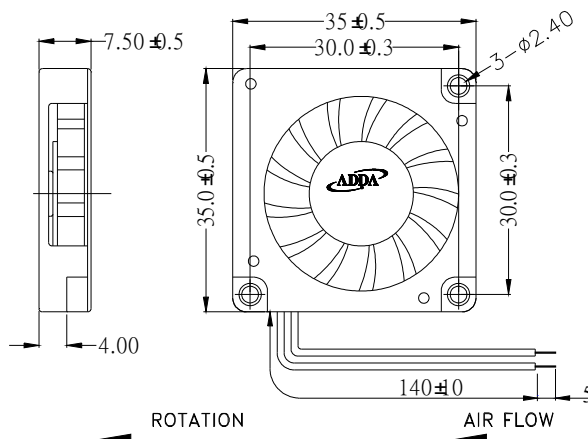


◀ **35X35X07mm Series** ▶



Spot cooling, also suitable for small space requirements, laptops PC and notebook, etc.,

External Dimensions



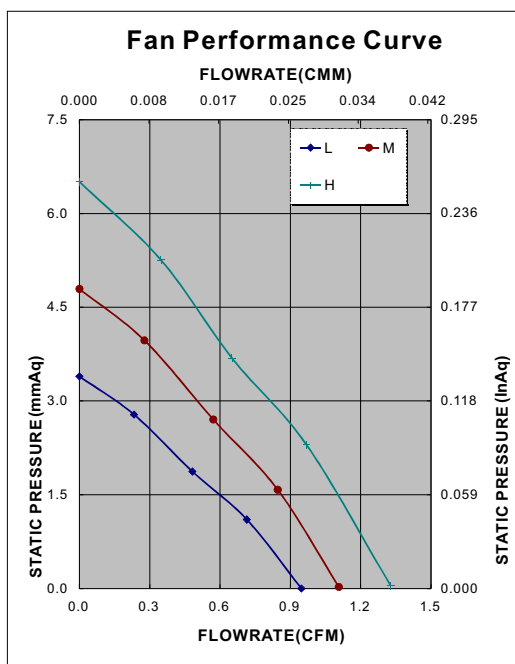
Frame: Plastic (UL:94v-0)
 Impeller: Plastic (UL:94v-0)
 Bearing: Hypro bearing
 Lead wire: UL1571AWG28
 OPERATING TEMP*: -10C~70C
 VOLTAGE AVAILABLE: 5V, 12V
 *: -10C~60C for fans with sleeve/ball combination bearings.

Specifications (Nominal)

*: Noise is measured at the distance of one (1) meter from the axis of intake.

Frame size (mm)	Model No.	Bearing System Type	Rated Voltage (v)	Rated Current (A)	Rated Power (W)	Rated Speed (rpm)	Maximum AirFlow		Maximum Pressure		Noise Level (dB/A)	Weight (g)
							(CMM)	(CFM)	(InAq)	(mmAq)		
35x35x07	AB3505LX-QB0		5	0.10	0.500	5500	0.003	0.90	0.126	3.20	19.0	13
	AB3505MX-QB0		5	0.14	0.700	6500	0.031	1.11	0.192	4.79	23.0	
	AB3505HX-QB0		5	0.23	1.150	7500	0.038	1.33	0.260	6.51	28.3	
	AB3512MX-QB0		12	0.12	0.144	6500	0.031	1.11	0.192	4.79	23.0	
	AB3505LX-QB6		5	0.10	0.500	5500	0.003	0.90	0.126	3.20	19.0	
	AB3505MX-QB6		5	0.14	0.700	6500	0.031	1.11	0.192	4.79	23.0	
	AB3505HX-QB6		5	0.23	1.150	7500	0.038	1.33	0.260	6.51	28.3	
	AB3512MX-QB6		12	0.12	0.144	6500	0.031	1.11	0.192	4.79	23.0	

Specifications subject to change without notice.



*Motor protective circuit and third lead wire functions

0	1	2	3	4	6	7	8	9	A	B
✓	✓		✓		✓					✓

*Safety approvals

✓	✓		✓	✓	

