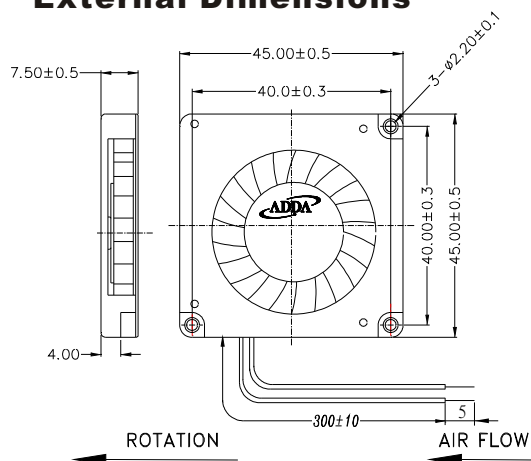


◀ 45X45X07mm Series ▶



Spot cooling, also suitable for small space requirements, laptops PC and notebook, etc.,.

**External Dimensions**



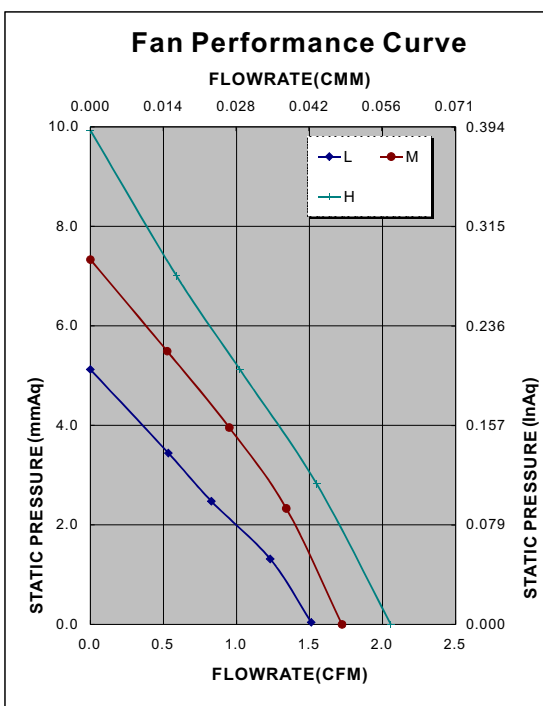
Frame: Plastic (UL:94v-0)  
Impeller: Plastic (UL:94v-0)  
Bearing: Hypro bearing  
Lead wire: UL1571AWG30  
OPERATING TEMP\*: -10C~70C  
VOLTAGE AVAILABLE: 5V, 12V  
\*:-10C~60C for fans with sleeve/ball combination bearings.

**Specifications (Nominal)**

\*: Noise is measured at the distance of one (1) meter from the axis of intake.

Frame size (mm)	Model No.	Bearing System Type	Rated Voltage (v)	Rated Current (A)	Rated Power (W)	Rated Speed (rpm)	Maximum AirFlow		Maximum Pressure		Noise Level (dB/A)	Weight (g)
							(CMM)	(CFM)	(InAq)	(mmAq)		
45x45x07	AB4505LB-QA0(S)		5	0.07	0.350	4700	0.042	1.50	0.202	5.13	23.3	23
	AB4505MB-QA0(S)		5	0.11	0.550	5500	0.048	1.70	0.289	7.33	26.5	
	AB4505HB-QA0(S)		5	0.14	0.700	6200	0.059	2.10	0.391	9.93	33.0	
	AB4505LX-QA0		5	0.07	0.350	4300	0.039	1.37	0.163	4.13	20.5	
	AB4505MX-QA0		5	0.11	0.550	5000	0.044	1.56	0.230	5.83	24.8	
	AB4505HX-QA0		5	0.14	0.700	5700	0.052	1.83	0.320	8.14	28.7	
	AB4512LB-QA0(S)		12	0.08	0.960	4700	0.042	1.50	0.202	5.13	23.3	
	AB4512MB-QA0(S)		12	0.09	1.080	5500	0.048	1.70	0.289	7.33	26.5	
	AB4512HB-QA0(S)		12	0.10	1.200	6200	0.059	2.10	0.391	9.93	33.0	

Specifications subject to change without notice.



\*Motor protective circuit and third lead wire functions

0	1	2	3	4	6	7	8	9	A	B
✓					✓					

\*Safety approvals