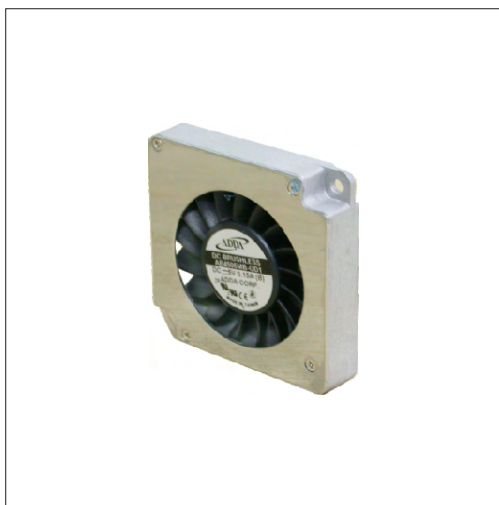
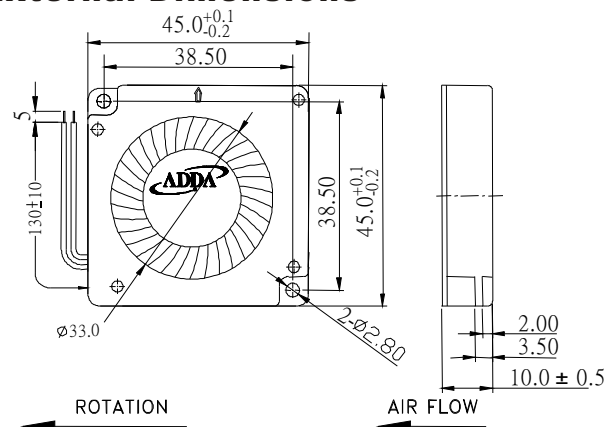


◀45X45X10mm Series▶



Spot cooling, also suitable for small space requirements, laptops PC and notebook, etc.,.

External Dimensions



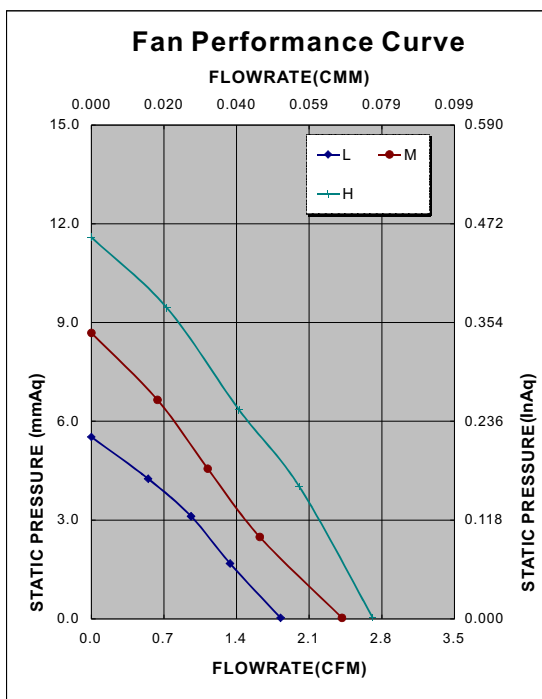
Frame: Plastic(UL:94v-0)
Impeller: Plastic(UL:94v-0)
Bearing: Hypro bearing
Lead wire: UL1571AWG30
OPERATING TEMP*: -10C~70C
VOLTAGE AVAILABLE: 5V
*: -10C~60C for fans with sleeve/ball combination bearings.

Specifications(Nominal)

*: Noise is measured at the distance of one(1) meter from the axis of intake.

Frame size (mm)	Model No.	Bearing System Type	Rated Voltage (v)	Rated Current (A)	Rated Power (W)	Rated Speed (rpm)	Maximum AirFlow		Maximum Pressure		Noise Level (dB/A)	Weight (g)
							(CMM)	(CFM)	(InAq)	(mmAq)		
45X45X10	AB4505HB-GD1		5	0.22	1.10	5800	0.076	2.71	0.464	11.60	35.3	25
	AB4505MB-GD1		5	0.15	0.75	5000	0.068	2.42	0.348	8.69	31.1	
	AB4505LB-GD1		5	0.06	0.30	4000	0.051	1.82	0.221	5.53	24.5	
	AB4505HB-GD2		5	0.22	1.10	5800	0.076	2.71	0.464	11.60	35.3	
	AB4505MB-GD2		5	0.15	0.75	5000	0.068	2.42	0.348	8.69	31.1	
	AB4505LB-GD2		5	0.13	0.65	4000	0.051	1.82	0.221	5.53	24.5	
	AB4505HB-GD3		5	0.22	1.10	5800	0.076	2.71	0.464	11.60	35.3	
	AB4505MB-GD3		5	0.15	0.75	5000	0.068	2.42	0.348	8.69	31.1	
AB4505LB-GD3		5	0.06	0.30	4000	0.051	1.82	0.221	5.53	24.5		

Specifications subject to change without notice.



*Motor protective circuit and third lead wire functions

0	1	2	3	4	6	7	8	9	A	B
	✓	✓	✓							

*Safety approvals

✓	✓		✓	✓	

