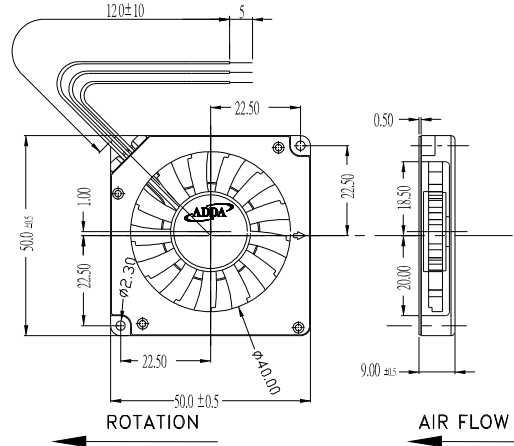


◀ **50X50X09mm Series** ▶



**External Dimensions**



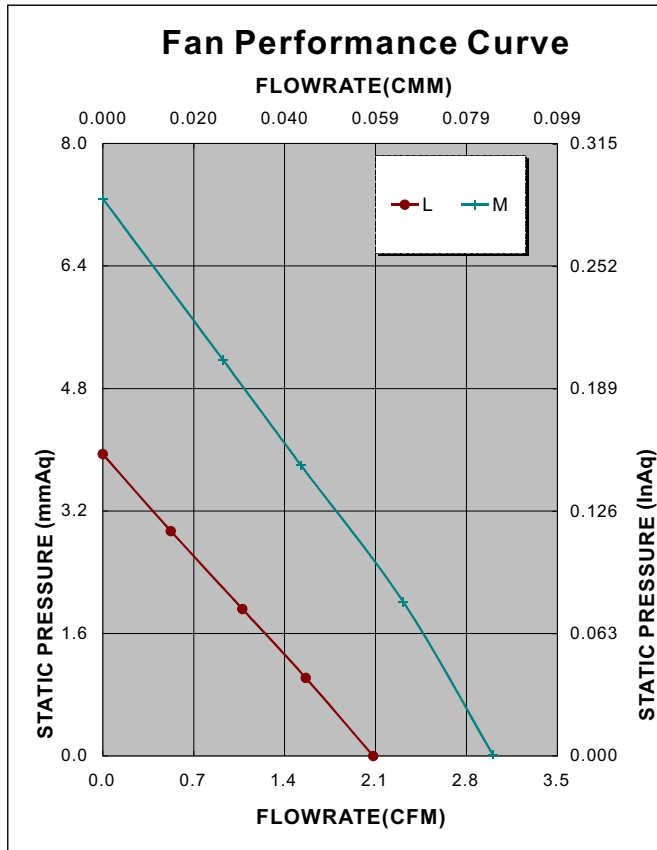
Frame: Plastic(UL:94v-0)  
 Impeller: Plastic(UL:94v-0)  
 Bearing: Hypro bearing  
 Lead wire: UL1571AWG28  
 OPERATING TEMP\*:-10C~70C  
 VOLTAGE AVAILABLE: 5V, 12V  
 \*:-10C~60C for fans with sleeve/ball combination bearings.  
\*:Noise is measured at the distance of one(1)meter from the axis of intake.

Spot cooling, also suitable for small space requirements, laptops PC and notebook, etc.,.

**Specifications(Nominal)**

Frame size (mm)	Model No.	Bearing System Type	Rated Voltage (v)	Rated Current (A)	Rated Power (W)	Rated Speed (rpm)	Bearing type: =Ball =Sleeve =1B1S =Hypro bearing				Weight (g)	
							Maximum AirFlow (CMM)	Maximum AirFlow (CFM)	Maximum Pressure (InAq)	Maximum Pressure (mmAq)		Noise Level (dB/A)
50x50x09	AB0505LB-RB1		5	0.12	0.600	4000	0.059	2.08	0.158	3.94	31.7	31.5
	AB0505MB-RB1		5	0.17	0.850	5000	0.085	3.00	0.291	7.28	30.5	
	AB0505LB-RB3		5	0.12	0.600	4000	0.059	2.08	0.158	3.94	31.7	
	AB0505MB-RB3		5	0.17	0.850	5000	0.085	3.00	0.291	7.28	30.5	

Specifications subject to change without notice.



\*Motor protective circuit and third lead wire functions

0	1	2	3	4	6	7	8	9	A	B
	✓		✓							

\*Safety approvals

✓	✓		✓	✓	

