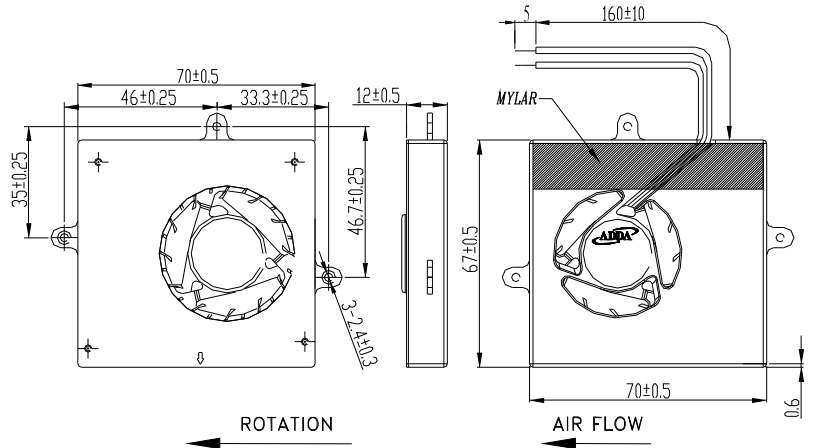


◀ **70X70X12mm Series** ▶



External Dimensions



Frame: Plastic(UL:94v-0)
 Impeller: Plastic(UL:94v-0)
 Bearing: Ball bearing
 Lead wire: UL1571AWG28
 OPERATING TEMP*: -10C~70C
 VOLTAGE AVAILABLE: 12V
 *:-10C~60C for fans with sleeve/ball combination bearings.

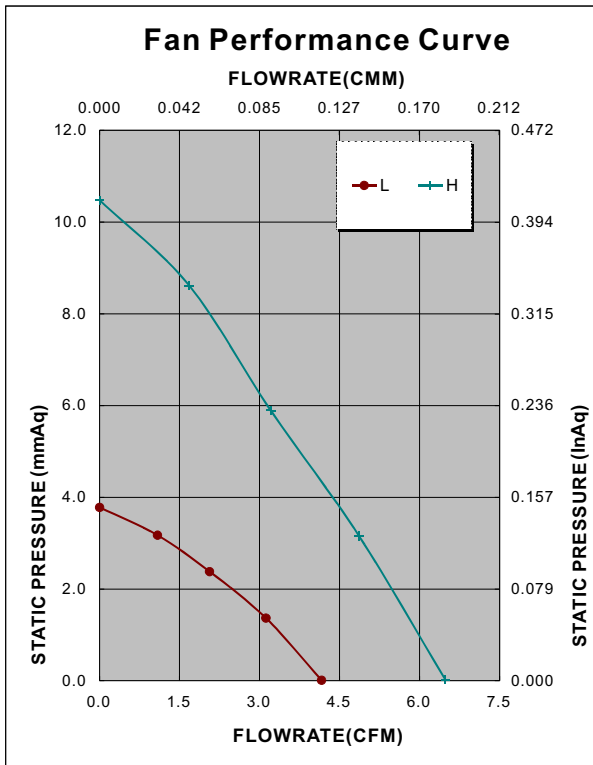
Spot cooling, also suitable for small space requirements, laptops PC and notebook, etc.,

Specifications(Nominal)

Frame size (mm)	Model No.	Bearing System Type	Rated Voltage (v)	Rated Current (A)	Rated Power (W)	Rated Speed (rpm)	Bearing type: =Ball =Sleeve =1B1S =Hypro bearing				Noise Level (dB/A)	Weight (g)
							Maximum AirFlow (CMM)	Maximum AirFlow (CFM)	Maximum Pressure (InAq)	Maximum Pressure (mmAq)		
70X70X12	AB7012HB-E01		12	0.18	2.16	3800	0.183	6.48	0.419	10.48	34.0	35
	AB7012LB-E01		12	0.10	1.20	2700	0.117	4.16	0.151	3.78	20.5	

*Noise is measured at the distance of one (1) meter from the axis of intake.

Specifications subject to change without notice.



*Motor protective circuit and third lead wire functions

0	1	2	3	4	6	7	8	9	A	B
	✓	✓	✓							

*Safety approvals

✓	✓		✓	✓	

