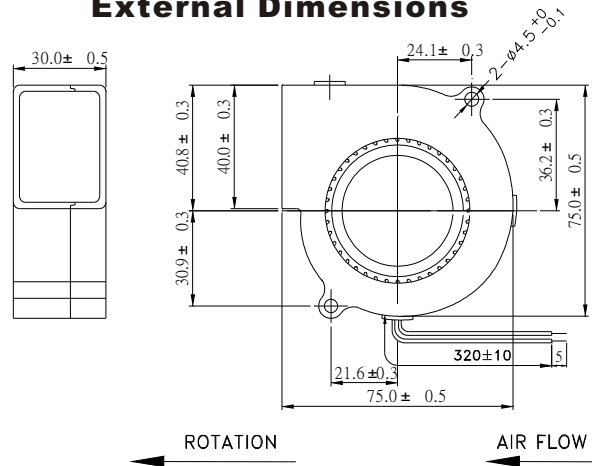


◀ 75X75X30mm Series ▶



Spot cooling, also suitable for small space requirements, laptops PC and notebook, etc.,

External Dimensions



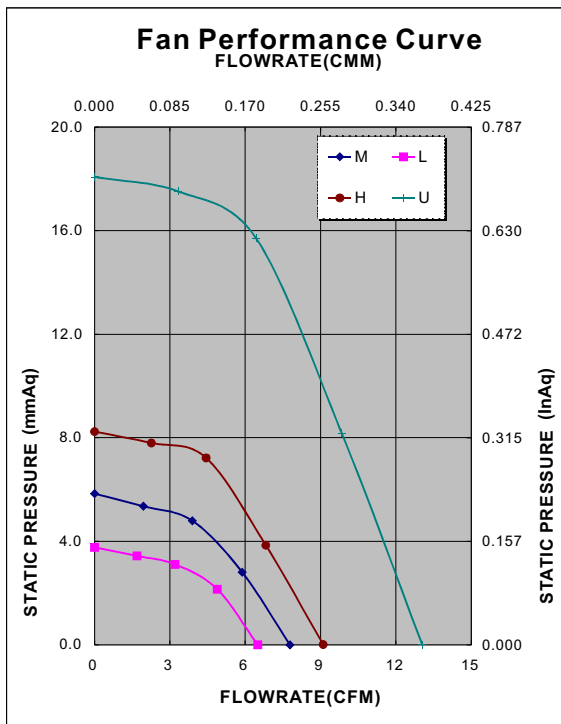
Frame: Plastic (UL:94v-0)
Impeller: Plastic (UL:94v-0)
Bearing: Hypro bearing
Lead wire: UL1007AWG24
OPERATING TEMP*: -10C~70C
VOLTAGE AVAILABLE: 12V, 24V
*: -10C~60C for fans with sleeve/ball combination bearings.

Specifications (Nominal)

*: Noise is measured at the distance of one (1) meter from the axis of intake.

Frame size (mm)	Model No.	Bearing System Type	Rated Voltage (v)	Rated Current (A)	Rated Power (W)	Rated Speed (rpm)	Bearing type: =Ball =Sleeve =1B1S =Hypro bearing				Weight (g)	
							Maximum AirFlow (CMM)	Maximum AirFlow (CFM)	Maximum Pressure (InAq)	Maximum Pressure (mmAq)		Noise Level (dB/A)
75x75x30	AD7512LB		12	0.11	1.32	2200	0.184	6.50	0.151	3.77	29.0	100
	AD7512MB		12	0.15	1.80	2600	0.220	7.78	0.234	5.84	34.9	
	AD7512HB		12	0.24	2.88	3000	0.258	9.11	0.330	8.24	38.5	
	AD7512UB		12	0.52	6.24	4200	0.369	13.05	0.723	18.07	44.7	
	AD7524LB		24	0.08	1.92	2200	0.184	6.50	0.151	3.77	29.0	
	AD7524MB		24	0.14	3.36	2600	0.220	7.78	0.234	5.84	34.9	
	AD7524HB		24	0.16	3.84	3000	0.258	9.11	0.330	8.24	38.5	
	AD7524UB		24	0.27	6.48	4200	0.369	13.05	0.723	18.07	44.7	

Specifications subject to change without notice.



*Motor protective circuit and third lead wire functions

0	1	2	3	4	6	7	8	9	A	B
	✓	✓	✓							

*Safety approvals

✓	✓		✓	✓	

