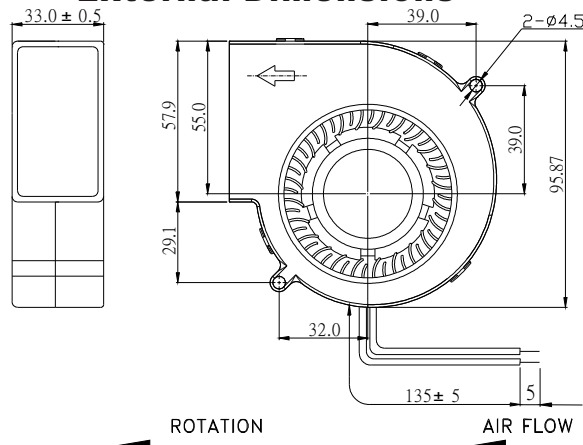


◀ 94X94X33mm Series ▶



External Dimensions



Frame: Plastic (UL:94v-0)
 Impeller: Plastic (UL:94v-0)
 Bearing: Ball bearing
 Lead wire: UL1007AWG24
 OPERATING TEMP*: -10C~70C
 VOLTAGE AVAILABLE: 12V
 *: -10C~60C for fans with sleeve/ball combination bearings.

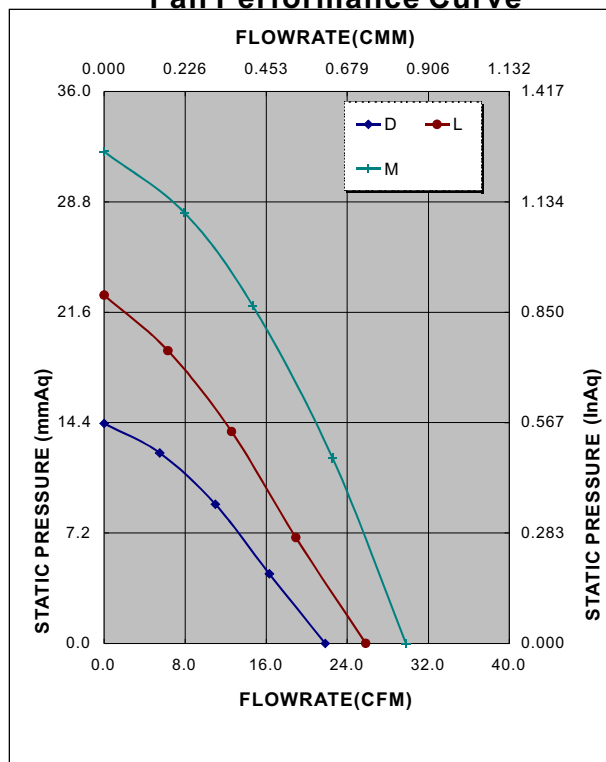
Spot cooling, also suitable for small space requirements, laptops PC and notebook, etc.,

Specifications (Nominal)

Frame size (mm)	Model No.	Bearing System Type	Rated Voltage (v)	Rated Current (A)	Rated Power (W)	Rated Speed (rpm)	Bearing type: =Ball =Sleeve =1B1S =Hypro bearing				Noise Level (dB/A)	Weight (g)
							Maximum AirFlow (CMM)	Maximum AirFlow (CFM)	Maximum Pressure (InAq)	Maximum Pressure (mmAq)		
94X94X33	AB0912MB-Z0A		12	1.00	12.00	3400	0.839	29.80	1.284	32.09	50.5	140
	AB0912LB-Z00		12	0.57	6.84	3200	0.727	25.81	0.909	22.72	46.7	
	AB0912MB-Z01		12	0.90	10.80	3600	0.839	29.80	1.284	32.09	51.5	
	AB0912LB-Z01		12	0.57	6.84	3200	0.727	25.81	0.909	22.72	46.7	
	AB0912DB-Z01		12	0.41	4.92	2800	0.614	21.80	0.574	14.35	46.6	

Specifications subject to change without notice.

Fan Performance Curve



*Motor protective circuit and third lead wire functions

0	1	2	3	4	6	7	8	9	A	B
	✓	✓	✓							

*Safety approvals

✓	✓			✓	

