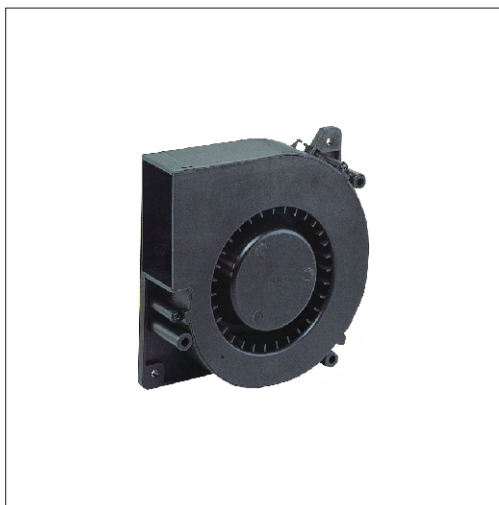
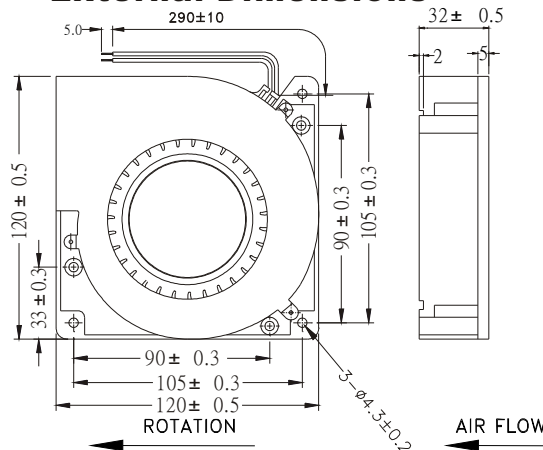


◀120X120X32mmSeries▶



External Dimensions



Frame:Plastic(UL:94v-0)
Impeller:Plastic(UL:94v-0)
Bearing:Hypro bearing
Lead wire:UL1007AWG24
OPERATING TEMP*:-10C~70C
VOLTAGE AVAILABLE:12V,24V
*:-10C~60C for fans with sleeve/ball combination bearings.

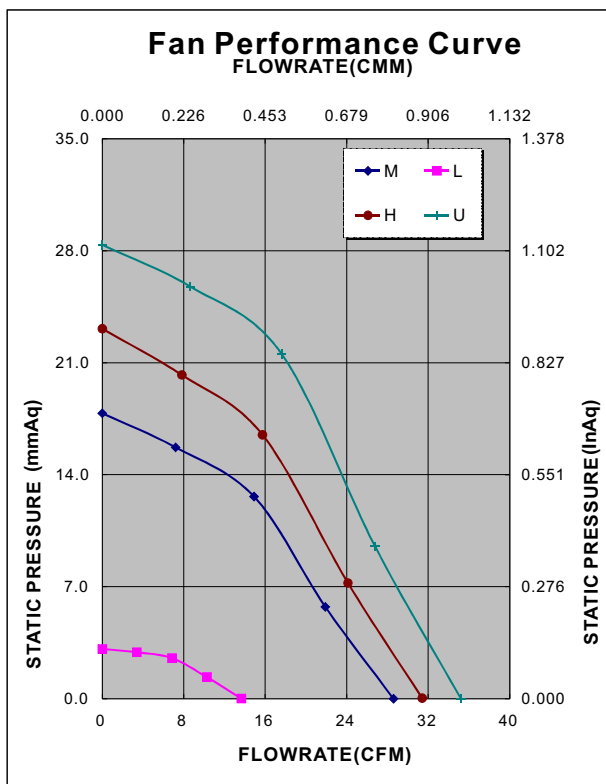
Spot cooling,also suitable for small space requirements, laptops PC and notebook,etc.,.

Specifications(Nominal)

*:Noise is measured at the distance of one(1)meter from the axis of intake.

Frame size (mm)	Model No.	Bearing System Type	Rated Voltage (v)	Rated Current (A)	Rated Power (W)	Rated Speed (rpm)	Maximum AirFlow		Maximum Pressure		Noise Level (dB/A)	Weight (g)
							(CMM)	(CFM)	(InAq)	(mmAq)		
120x120x32	AD2512LB		12	0.15	1.80	1200	0.384	13.64	0.124	3.11	34.3	278
	AD2512MB		12	0.60	7.20	2300	0.806	28.60	0.714	17.85	51.1	
	AD2512HB		12	0.65	7.80	2500	0.885	31.40	0.925	23.13	51.0	
	AD2524LB		24	0.13	3.12	1200	0.384	13.64	0.124	3.11	34.3	
	AD2524MB		24	0.40	9.60	2300	0.806	28.60	0.714	17.85	51.1	
	AD2524HB		24	0.43	10.32	2500	0.885	31.40	0.925	23.13	51.0	
	AD2524UB		24	0.50	12.00	2800	0.992	35.21	1.135	28.37	55.8	

Specifications subject to change without notice.



*Motor protective circuit and third lead wire functions

0	1	2	3	4	6	7	8	9	A	B
	✓	✓	✓							

*Safety approvals

✓	✓	✓	✓	✓	✓

