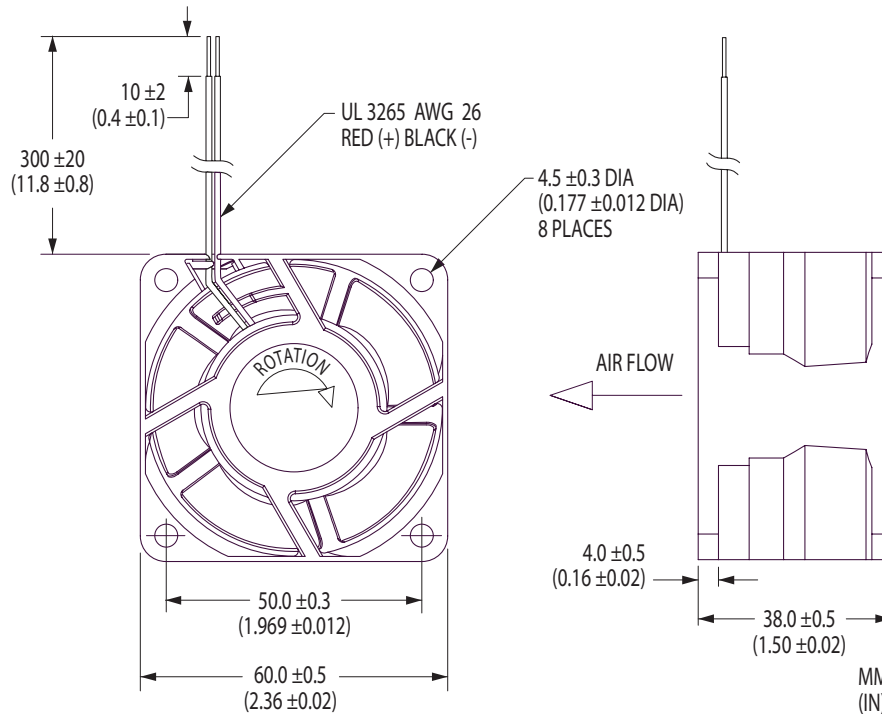


# UltraFlo™

## 60x38mm



### T60E Series

- ✓ Free-Running and Feedback-Governed, Speed-Stable Models
- ✓ Wide Variety of Monitor and Control Options and Signal Combinations
- ✓ Permanently Lubricated Dual Ball Bearings

## Tube Axial Cooling Fans

Model	Max. Static Air Flow (CFM)	Static Pressure (inwg)	Operating Voltage Nominal (V)	Operating Voltage Range (V)	Operating Current (A)	Input Power (W)	Fan Speed (rpm)	Sound Pressure (dBA)	Operating Temp. Min. (°C)	Operating Temp. Max. (°C)	L10 Life† (hours)
<b>Speed-Stable</b>											
T60E12BUA5-01	72	2.09	12	7.0-13.8	2.30	27.6	13000	59.8	-10	+70	70,000
T60E12BHA5-01	58	1.49	12	7.0-13.8	1.20	14.4	10500	57.0	-10	+70	—
T60E12BLA5-01	44	0.84	12	7.0-13.8	0.55	6.6	8000	48.0	-10	+70	—
<b>Free-Running</b>											
T60E12BUA5-51	72	2.20	12	7.0-13.8	2.30	27.6	13000	59.8	-10	+70	70,000
T60E12BHA5-51	58	1.53	12	7.0-13.8	1.20	14.4	10500	57.0	-10	+70	—
T60E12BLA5-51	44	0.84	12	7.0-13.8	0.55	6.6	8000	48.0	-10	+70	—

Air flow, current, speed and sound pressure ratings are at nominal operating voltage and zero static pressure. Current and power ratings are average expected values under those conditions. † L10 bearing life expectancy at  $T_A = +40^\circ\text{C}$ .™ UltraFlo is a brand trademark of Nidec Corporation.

### Noise Power Emission Levels\*

Operating Voltage (V)	Fraction of Max. Air Flow	Fan Speed (rpm)	Static Pressure (inwg)	NPEL (Bels)	Operating Voltage (V)	Fraction of Max. Air Flow	Fan Speed (rpm)	Static Pressure (inwg)	NPEL (Bels)
<b>Speed-Stable T60E12BUA5</b>					<b>Free-Running T60E12BUA5</b>				
13.8	100%	13000	0	7.7	13.8	100%	14260	0	8.2
	80%	13005	0.58	7.7		80%	14250	0.65	8.2
	20%	13100	1.33	7.8		20%	14690	1.83	8.1
12.0	100%	13000	0	7.7	12.0	100%	13000	0	7.7
	80%	13005	0.58	7.7		80%	13090	0.56	7.8
	20%	13100	1.33	7.8		20%	13680	1.60	8.0
7.0	100%	8185	0	6.5	7.0	100%	7450	0	6.2
	80%	8180	0.23	6.5		80%	7475	0.19	6.4
	20%	8260	0.64	6.8		20%	7640	0.55	6.8

\* Sound levels in the tables are mean values, measured as the fans - without guards or other accessories - expel air from a test plenum on which they are mounted, using test methods and conventions prescribed by IPC-9591.

60x38mm



T60E Series

