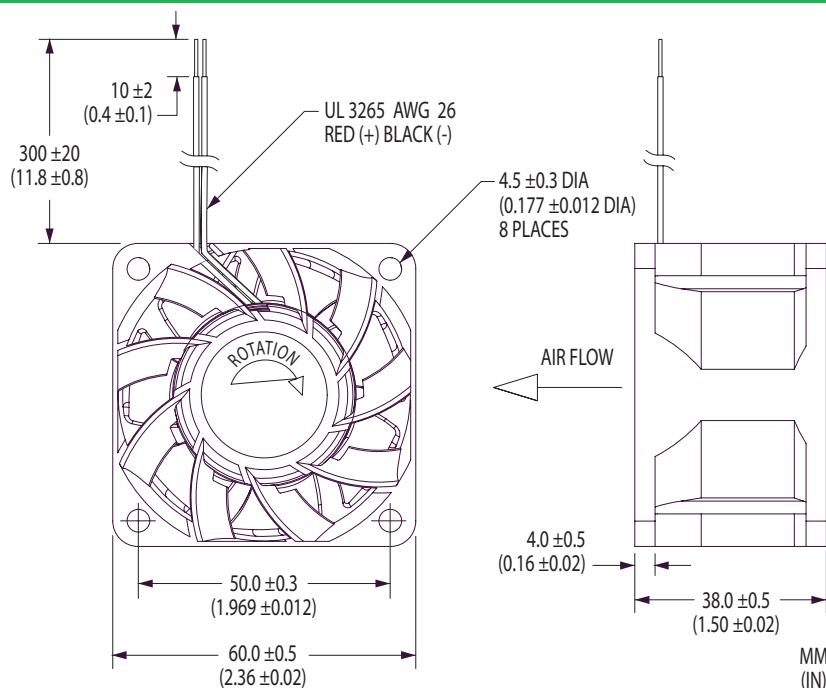


UltraFlo™

60x38mm



V60E Series

- ✓ Free-Running and Feedback-Governed, Speed-Stable Models
- ✓ Wide Variety of Monitor and Control Options and Signal Combinations
- ✓ Permanently Lubricated Dual Ball Bearings

Vane Axial Cooling Fans

Model	Max. Static Air Flow (CFM)	Static Pressure (inwg)	Operating Voltage		Operating Current (A)	Input Power (W)	Fan Speed (rpm)	Sound Pressure (dBA)	Operating Temp.		L10 Life† (hours)
			Nominal (V)	Range (V)					Min. (°C)	Max. (°C)	
Speed-Stable											
V60E12BUA7-01	70	1.85	12	7.0-13.8	2.10	25.2	12000	64.2	-10	+70	70,000
V60E12BGA7-01	62	1.65	12	7.0-13.8	1.65	19.8	11000	62.5	-10	+70	—
V60E12BHA7-01	53	1.17	12	7.0-13.8	1.05	12.6	9500	58.5	-10	+70	—
V60E12BMA7-01	44	0.84	12	7.0-13.8	0.65	7.8	8000	54.0	-10	+70	—
V60E12BLA7-01	39	0.66	12	7.0-13.8	0.50	6.0	7000	51.5	-10	+70	—
Free-Running											
V60E12BUA7-51	70	1.95	12	7.0-13.8	2.10	25.2	12000	64.2	-10	+70	70,000
V60E12BGA7-51	62	1.65	12	7.0-13.8	1.65	19.8	11000	62.5	-10	+70	—
V60E12BHA7-51	53	1.17	12	7.0-13.8	1.05	12.6	9500	58.5	-10	+70	—
V60E12BMA7-51	44	0.88	12	7.0-13.8	0.65	7.8	8000	54.0	-10	+70	—
V60E12BLA7-51	39	0.66	12	7.0-13.8	0.50	6.0	7000	51.5	-10	+70	—

Air flow, current, speed and sound pressure ratings are at nominal operating voltage and zero static pressure. Current and power ratings are average expected values under those conditions. † L10 bearing life expectancy at T_A = +40°C.

Noise Power Emission Levels*

Operating Voltage (V)	Fraction of Max. Air Flow	Fan Speed (rpm)	Static Pressure (inwg)	NPEL (Bels)
Speed-Stable V60E12BUA7				
13.8	100%	12000	0	7.8
	80%	12000	0.80	7.6
	20%	11985	1.19	7.8
12.0	100%	12000	0	7.8
	80%	12000	0.80	7.6
	20%	11985	1.19	7.8
7.0	100%	7930	0	6.8
	80%	7955	0.25	6.5
	20%	8020	0.62	6.9
Free-Running V60E12BUA7				
13.8	100%	13140	0	8.0
	80%	13190	0.77	7.8
	20%	14395	1.65	8.3
12.0	100%	12000	0	7.8
	80%	12075	0.62	7.7
	20%	12980	1.33	8.0
7.0	100%	7165	0	6.6
	80%	7130	0.23	6.3
	20%	7230	0.50	6.6

* Sound levels in the tables are mean values, measured as the fans - without guards or other accessories - expel air from a test plenum on which they are mounted, using test methods and conventions prescribed by IPC-9591.

60x38mm



V60E Series

