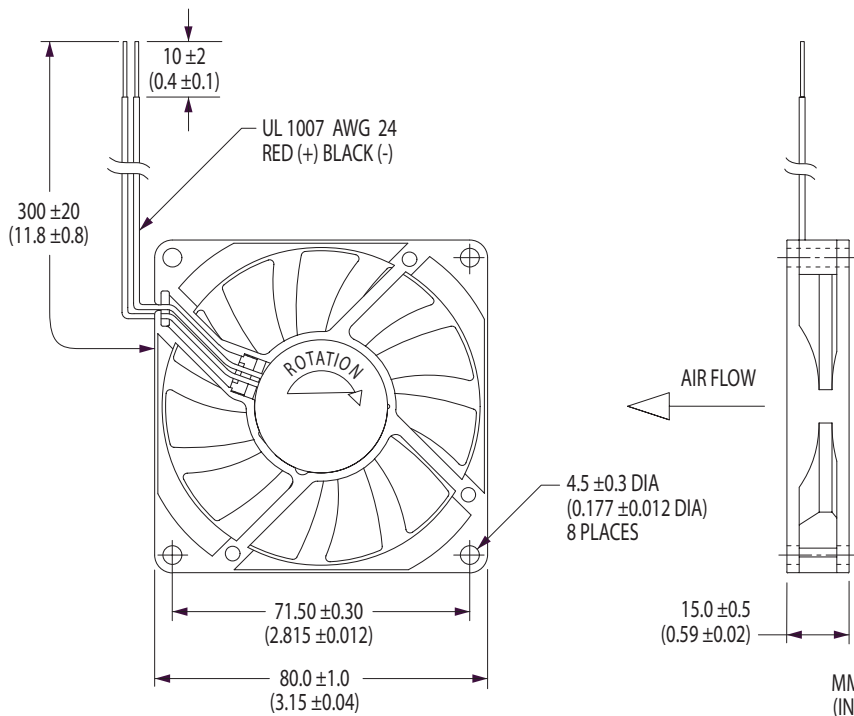


UltraFlo™

80x15mm



U80R Series

- ✓ Durable, Magnetically Stabilized NBRX Sleeve-Bearing Design
- ✓ Current-Limit Protection
- ✓ Optional Open-Collector Tachometer or Locked Rotor Alarm
- ✓ Plastic Housing and Impeller Rated V-0

Tube Axial Cooling Fans

Model	Air Flow (CFM)	Max. Static Pressure (inwg)	Operating Voltage		Operating Current (A)	Input Power (W)	Fan Speed (rpm)	Sound Pressure (dBA)	Operating Temp.		L10 Life† (hours)
			Nominal (V)	Range (V)					Min. (°C)	Max. (°C)	
U80R12MHAB-51	34	0.13	12	7.0-13.8	0.22	2.6	3100	34	-10	+70	30,000
U80R12MMAB-51	27	0.09	12	7.0-13.8	0.14	1.7	2550	29	-10	+70	—
U80R12MLAB-51	22	0.06	12	7.0-13.8	0.12	1.4	2100	24	-10	+70	—

Air flow, current, speed and sound pressure ratings are at nominal operating voltage and zero static pressure. Current and power ratings are average expected values under those conditions. † L10 bearing life expectancy at $T_A = +40^\circ\text{C}$.™ UltraFlo is a brand trademark of Nidec Corporation.

