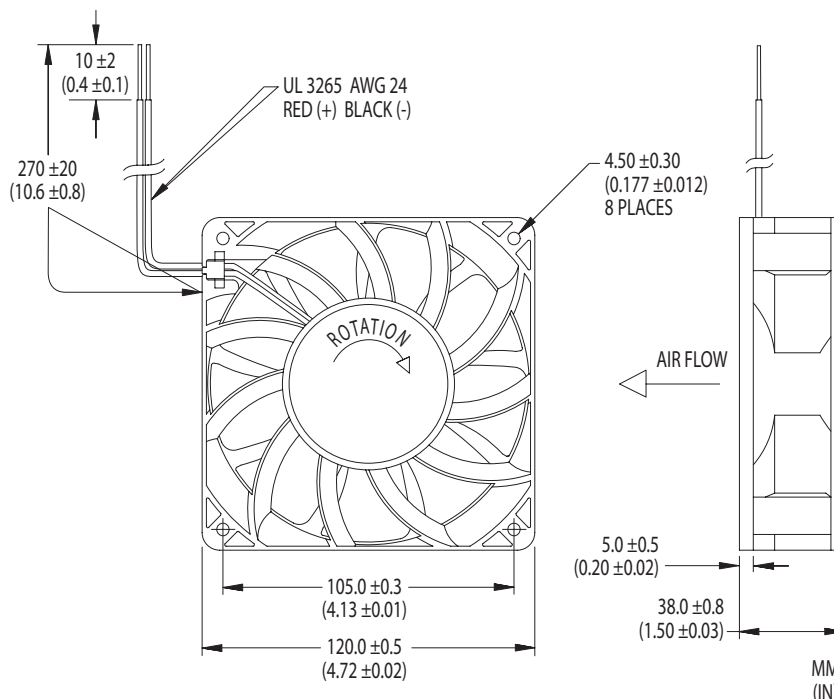


# 120x38mm



## V12E Series

- ✓ Free-Running and Feedback-Governed, Speed-Stable Models
- ✓ Wide Variety of Monitor and Control Options and Signal Combinations
- ✓ Permanently Lubricated Dual Ball Bearings



## Vane Axial Cooling Fans

Model	Air Flow (CFM)	Max. Static Pressure (inwg)	Operating Voltage		Operating Current (A)	Input Power (W)	Fan Speed (rpm)	Sound Pressure (dBA)	Operating Temp.		L10 Life† (hours)
			Nominal (V)	Range (V)					Min. (°C)	Max. (°C)	
<b>Speed-Stable</b>											
V12E12BUM9-01	225	1.38	12	7.0-13.8	3.3	39.6	5300	64.0	-10	+70	70,000
V12E12BGM9-01	198	1.11	12	7.0-13.8	2.1	25.2	4600	63.0	-10	+70	—
V12E12BHM9-01	177	0.97	12	7.0-13.8	1.6	19.2	4200	58.0	-10	+70	—
V12E12BMM9-01	155	0.76	12	7.0-13.8	1.2	14.4	3700	54.5	-10	+70	—
V12E12BLM9-01	136	0.56	12	7.0-13.8	0.8	9.6	3200	50.0	-10	+70	—
<b>Free-Running</b>											
V12E12BUM9-51	225	1.22	12	7.0-13.8	3.3	39.6	5300	64.0	-10	+70	70,000
V12E12BGM9-51	198	1.07	12	7.0-13.8	2.1	25.2	4600	63.0	-10	+70	—
V12E12BHM9-51	177	0.93	12	7.0-13.8	1.6	19.2	4200	58.0	-10	+70	—
V12E12BMM9-51	155	0.72	12	7.0-13.8	1.2	14.4	3700	54.5	-10	+70	—
V12E12BLM9-51	136	0.52	12	7.0-13.8	0.8	9.6	3200	50.0	-10	+70	—

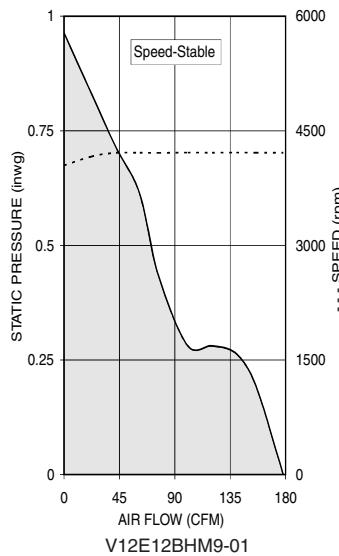
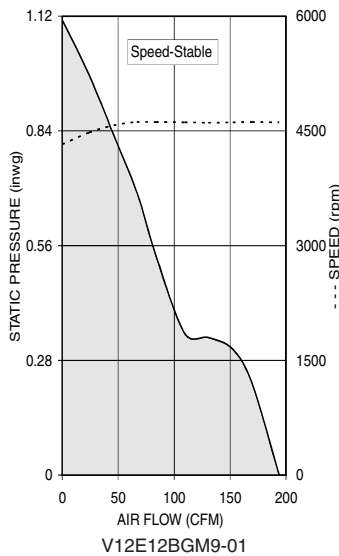
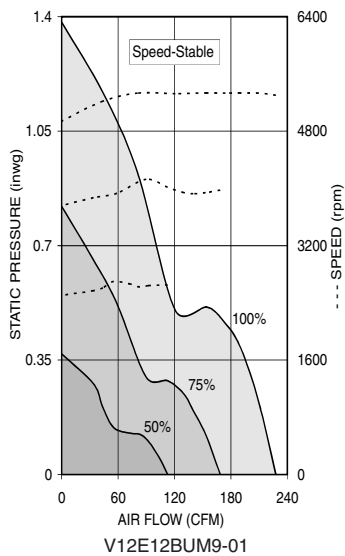
Air flow, current, speed and sound pressure ratings are at nominal operating voltage and zero static pressure. Current and power ratings are average expected values under those conditions. † L10 bearing life expectancy at  $T_A = +40^\circ\text{C}$ .™ UltraFlo is a brand trademark of Nidec Corporation.

### Noise Power Emission Levels\*

Operating Voltage (V)	Fraction of Max. Air Flow	Fan Speed (rpm)	Static Pressure (inwg)	Static NPEL (Bels)
<b>Speed-Stable V12E12BUM9</b>				
13.8	100%	5300	0	7.7
	80%	5330	0.43	7.6
	20%	5250	1.17	8.1
12.0	100%	5300	0	7.7
	80%	5330	0.43	7.6
	20%	5250	1.17	8.1
7.0	100%	4980	0	7.5
	80%	4930	0.38	7.4
	20%	4790	1.13	7.9
<b>Free-Running V12E12BUM9</b>				
13.8	100%	5300	0	7.7
	80%	5130	0.37	7.7
	20%	4800	1.04	7.9
12.0	100%	5300	0	7.7
	80%	5130	0.37	7.7
	20%	4800	1.04	7.9
7.0	100%	4720	0	7.4
	80%	4665	0.36	7.3
	20%	4550	0.98	7.8

# UltraFlo

## 120x38mm



**V12E Series**

