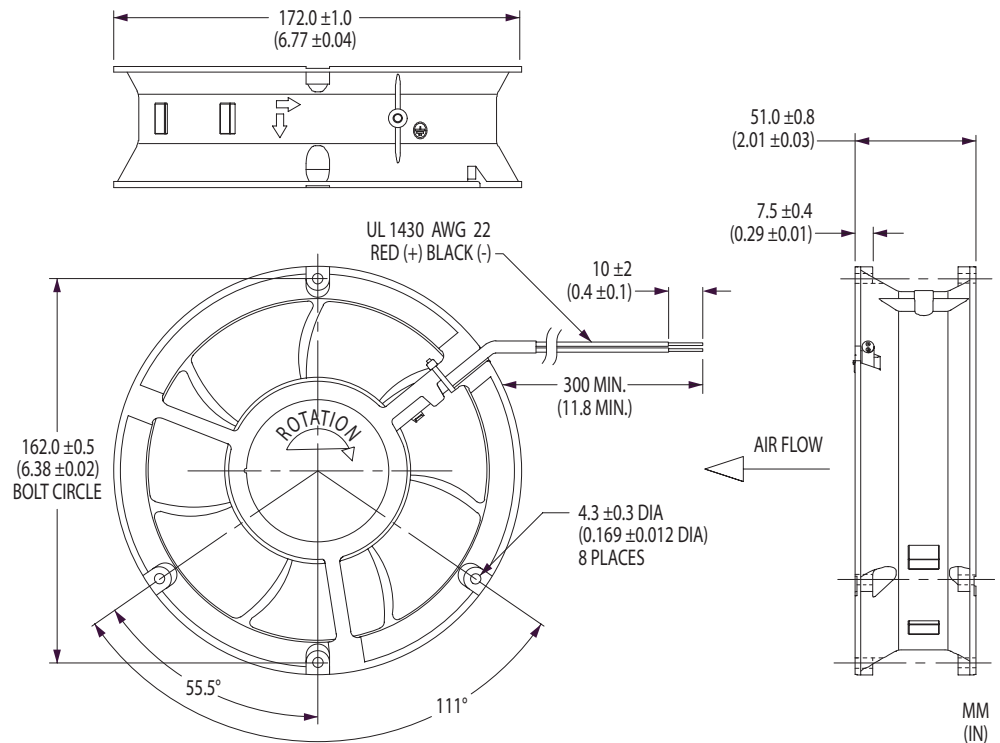


172x51 mm



Y17L Series

- ✓ Feedback-Governed, Speed-Stable Fans
- ✓ Air Flow Ratings to 420 CFM
- ✓ Wide Variety of Monitor and Control Options and Signal Combinations
- ✓ Permanently Lubricated Dual Ball Bearings



Tube Axial Cooling Fans

Model	Max. Static		Operating Voltage		Operating Current (A)	Input Power (W)	Fan Speed (rpm)	Sound Pressure (dBA)	Operating Temp.		L10 Life† (hours)
	Air Flow (CFM)	Pressure (inwg)	Nominal (V)	Range (V)					Min. (°C)	Max. (°C)	
Y17L24BGM7-01	420	1.67	24	12.0-27.6	3.10	74.4	5300	67.2	-10	+70	70,000
Y17L24BHM7-01	300	1.27	24	12.0-27.6	1.20	28.8	3900	58.0	-10	+70	—

Air flow, current, speed and sound pressure ratings are at nominal operating voltage and zero static pressure. Current and power ratings are average expected values under those conditions. † L10 bearing life expectancy at $T_A = +40^\circ\text{C}$. TM UltraFlo is a brand trademark of Nidec Corporation.

Noise Power Emission Levels*

Operating Voltage (V)	Fraction of Max. Air Flow	Fan Speed (rpm)	Static Pressure (inwg)	NPEL (Bels)
Y17L24BGM7				
27.6	100%	5300	0	7.6
	80%	5200	0.60	7.6
	20%	4610	1.38	8.1
24.0	100%	5300	0	7.6
	80%	5200	0.60	7.6
	20%	4610	1.38	8.1
12.0	100%	3075	0	6.6
	80%	3025	0.24	6.5
	20%	3010	0.65	7.2

* Sound levels in the table are mean values, measured as the fan - without a guard or other accessories - expels air from a test plenum on which it is mounted, using test methods and conventions prescribed by IPC-9591.

